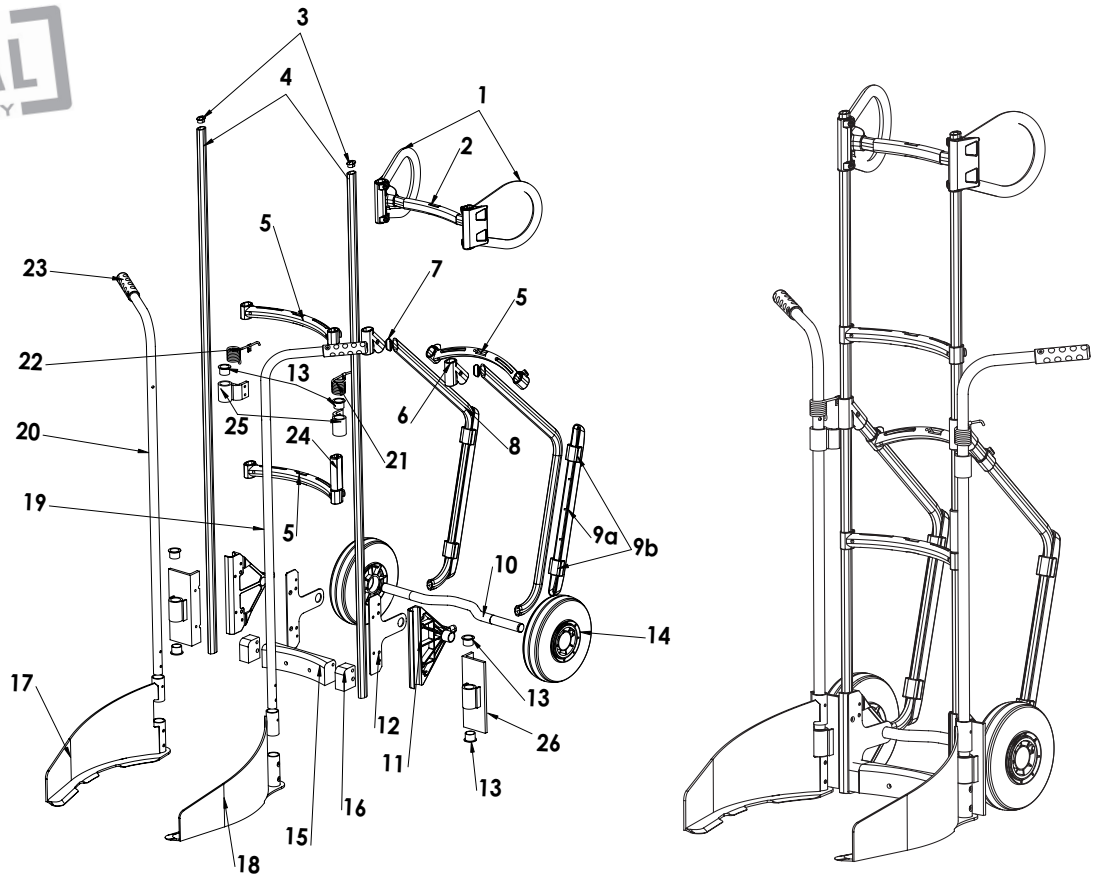


THE ORIGINAL
MADE IN GERMANY



Qty.	Diagram no.	Description	Part no.
		Tyre truck, complete	546 811 25
	1	Dog-ear handle	101 1 873
	2	Connector for dog-ear handles	101 1 886
	3	Plug for elliptical tube	101 1 872
	4	Elliptical aluminium tube, 1,60 m	102 1 747
	5	Cross-member <u>with</u> slit	101 1 890
	6	Angled rear strut connector	101 1 887
	7	Inlay for rear strut connector	101 1 888
	8	Skids, complete	101 1 258
	9a	EXLAN skid, blue	101 1 014
	9b	1 pc. clip for Exlan skid	101 1 878
	10	Aluminium axle, curved, 507 mm	101 1 137
	11	Axle mount for tyre truck	101 1 001 02
	12	Reinforcing part for tyre truck axle mount	101 1 060
	13	Plain bearing bush	101 1 903

Qty.	Diagram no.	Description	Part no.
	14	Wheel no. 25, complete	880 0 025
	15	Shovel stick	101 1 039
	16	Adapter for shovel stick	101 1 056 01
	17	Shovel, right	101 1 423
	18	Shovel, left	102 1 423
	19	Handle bow for tyre truck, left*	201 2 570L
	20	Handle bow for tyre truck, right*	201 2 570R
	21	Leg spring, left	102 1 904
	22	Leg spring, right	102 1 903
	23	Profiled handle grip	301 3 524
	13-23	Tyre handling device, complete	1114
	24	EXPRESSO O' Marker	301 3 022BL
	25	Upper hinge	101 1 817
	26	Alu splashguard with hinge for tube	103 1 817

* Upon order please indicate the side of the handle bow, from the operators perspective.

Sender: _____

Department: _____

Responsible: _____

Your order no.: _____

Your cost centre no.: _____

Date, sign/stamp _____