



**Lifting and Moving Solutions  
for Heavy Loads up to 200 t**



The Original - of the Highest Quality. Since 1967. Worldwide.  
[www.gks-perfekt.com](http://www.gks-perfekt.com)

Made in Germany!





Continuous

**Innovation** and

Technical

**G**  
**PERFEKT**  
**KS**®

Perfection





For over 50 Years

the name **Georg**

**Kramp Stuttgart**

has stood for trans-  
porting securely and  
safely





## GKS-PERFEKT ▶▶ Table of Contents

Products	Load Capacity	Page
<b>About the Company</b>		<b>8-11</b>
<b>Hydraulic Toe Jacks V/V-EX/G/U</b>		<b>12-27</b>
Product description		13
Toe Jacks V5 + V10	5 t + 10 t	14-15
Toe Jacks V15 + V20	15 t + 20 t	16-17
Toe Jacks V5-EX + V10-EX	5 t + 10 t	18-19
Toe Jacks V30-EX + V5K-EX	30 t + 5 t	20-21
Toe Jacks V10K-EX + V5KK-EX	10 t + 5 t	22-23
Toe Jacks G5 + G10	5 t + 10 t	24-25
Unilifter U6 + Synchronous Lifting Device Quadro 60	6 t + 60 t	26-27
<b>Hydraulic Hand Pumps PV and Electric Pumps PE</b>		<b>28-34</b>
Product description		29
Hydraulic Hand Pumps PV + PV-K		30-31
Hydraulic Electric Pumps PE + PE2		32-33
Electric Pump PE4		34
<b>High Pressure Hydraulics</b>		<b>35</b>
<b>Transport Trolleys F/L/TL</b>		<b>36-55</b>
Product description		37
Transport Trolleys F3 / L3 + F6 / L6	6 t + 12 t	38-39
Transport Trolleys F9 / L9 + F12 / L12	18 t + 24 t	40-41
Transport Trolleys F18 / L18 + F20 / L20	36 t + 40 t	42-43
Transport Trolleys F30 / L30 + F40 / L40	60 t + 80 t	44-45
Transport Trolleys F60 / L60 + TL6	120 t + 6 t	46-47
Transport Trolleys TL12 + TL20	12 t + 20 t	48-49
Transport Trolleys TL40 + TL60	40 t + 60 t	50-51
Container Trolleys F6-c / TL6-c + F12-c / TL12-c	12 t + 24 t	52-53
Container Trolleys F20-c / TL20-c + Twinlifter TW28	40 t + 2.8 t	54-55
<b>Rotating Trolleys RL</b>		<b>56-63</b>
Product description		57
Transport Trolleys RL1 + RL2	1 t + 2 t	58-59
Transport Trolleys RL4 + RL6	4 t + 6 t	60-61
Transport Trolleys RL8 + RL12	8 t + 12 t	62-63
<b>Remote Operated Battery Powered Transport Modules ROBOT 10/20/40</b>		<b>64-69</b>
Product description		65
Transport Modules ROBOT-10 + ROBOT-20	10 t + 20 t	66-67
Transport Module ROBOT-40	40 t	68
Application Examples ROBOT		69
<b>GKS Wheels Selection</b>		<b>70-73</b>
Product description		71
GKS-ALPERFEKT® PREMIUM + GKS-ALPERFEKT® PREMIUM G		72
GKS-ALPERFEKT® PUR + GKS-ALPERFEKT® STEEL		73
<b>GKS-Spezial Custom-Made</b>		<b>74-78</b>
GKS-PERFEKT Clean Room Equipment		74-75
GKS Special Design		76-78
<b>Service Repair Accident Prevention</b>		<b>79</b>
<b>GKS International, Machines + Tools, Data Protection</b>		<b>80-83</b>

Contents

Hydraulic Toe Jacks

Pumps

Transport Trolleys

Rotating Trolleys

Transport Module ROBOT

Wheels

Special Transport Trolleys

Repair Services



**Hydraulic Toe Jacks  
V / V-EX / G / U**

**Pgs. 12–27**



**Hydraulic and  
Electric Pumps**

**Pgs. 28–34**



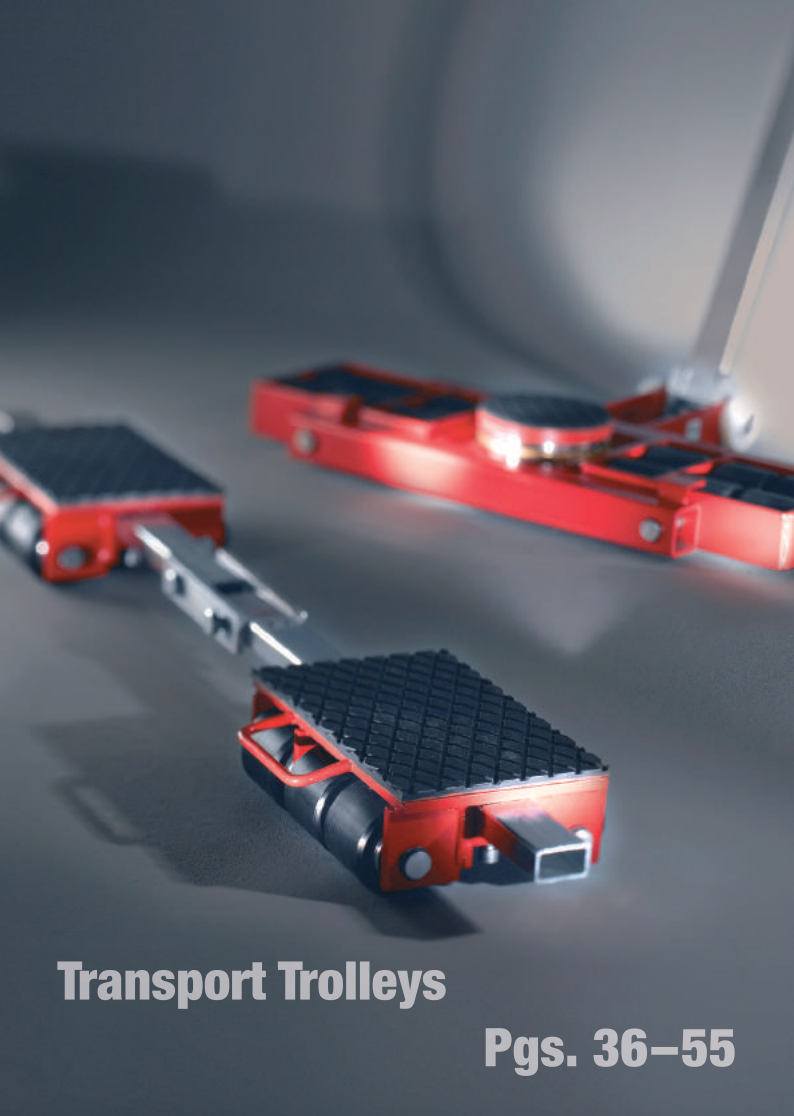
**Transport Trolleys  
ROBOT**

**Pgs. 64–69**



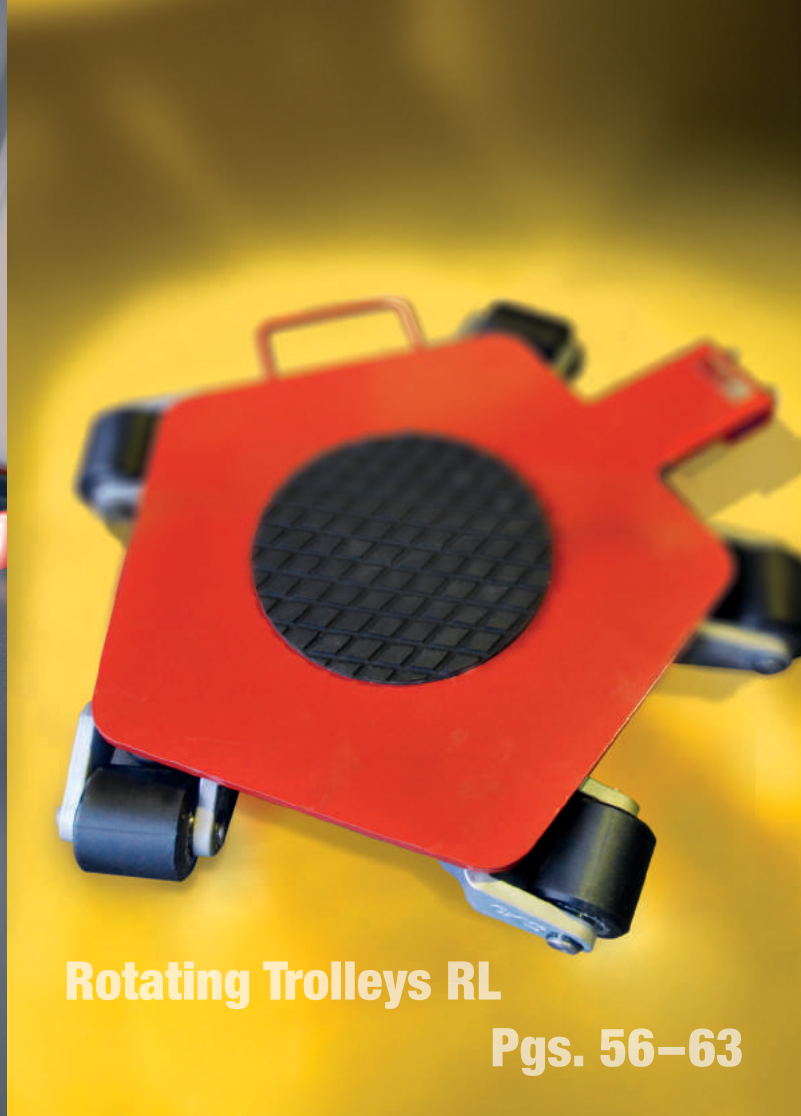
**GKS Wheels Selection**

**Pgs. 70–73**



**Transport Trolleys**

**Pgs. 36–55**



**Rotating Trolleys RL**

**Pgs. 56–63**



**GKS-Spezial  
Custom-Made**

**Pgs. 74–78**



**GKS-PERFEKT  
Clean Room Equipment**

**Pgs. 74–75**



**GKS-PERFEKT ▶▶ Safe lifting, effortless moving**

Georg Kramp founded the enterprise as a trading company for machine and precision tools in Stuttgart-Bad Cannstatt.



Purchase of our own company building in Fellbach with approx. 2000 m<sup>2</sup> of office and showroom space.



Distribution in the USA begins (Charlotte, NC).



January 2000: Moving into the production facilities in Fellbach with 1200 m<sup>2</sup> of production floor space.



Expansion of the company building to 3500 m<sup>2</sup>.

1950

1967

1971

1975

1992

1994

1995

1996

2000

2000



Registration of several patents (European) and subsequent granting for GKS lifting jack.



Building up the international sales unit for GKS-PERFEKT lifting and moving solutions.

Acquisition of an office building (adjacent building) with an additional 2500 m<sup>2</sup>.

First participation in trade fairs in Southeast Asia and India.



Anniversary Event in October for 50 Years of Georg Kramp.



**GKS-PERFEKT ▶▶ Company history**

Changing the legal status of the company to a GmbH & Co. KG with Doris Kramp as the Managing Director.



2003

Implementation of ISO certification according to DIN.



2008

Continuous growth of our sales presence in the United States of America with warehousing and high delivery availability.

Introducing the battery-powered ROBOT transport module as a world first.



2010

Establishing an additional sales office in Mexico with an expanded distribution warehouse.



2014

Participating at trade fairs in Stuttgart at the LogiMAT and AMB as well as the world's leading trade exhibition Bauma in Munich, where the innovative ROBOT-40 "drive and lift" was introduced.



2016

In September, 40th anniversary of the GKS-PERFEKT lifting and moving solutions.



2007



Developing an electric, remote operated ROBOT transport module.



2009

Progression and launch of the GKS-PERFEKT ROBOT-40 with an introduction at various trade fairs.



2011

Expanding / Updating the machine program: AVIA, SERRMAC, MEXPOL  
Restructuring the tool trading business: ZENTRA, KARNASCH, TANOI, SPPW, POREBA.



2015

Further development of ROBOTS within platform and enhanced special designs.



2017

2018



**GKS-PERFEKT ▶▶ Safety and certified quality for effortless moving**



**The Original**

Since 1967 the GKS-PERFEKT was the Original in the industry; this pioneer's name is synonymous with a complete, well-rounded program for safe lifting and effortless moving of the heaviest of loads. Throughout the world, our hydraulic jacks and transport trolleys master a wide variety of tasks of any magnitude when heavy loads have to be moved on the premises.

**Our history**

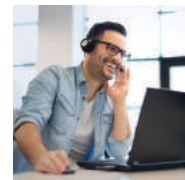
We make the difficult effortless! That has been the motto of GKS-PERFEKT for over 50 years. The inventor of the first toe jack, the Georg Kramp GmbH & Co. KG, has been developing and building professional lifting and moving transport trolleys with up to a 200-t capacity as early as 1967 in Fellbach, close to Stuttgart under the GKS-PERFEKT label.

The concept, which began in 1950 as a pioneering feat of the company founder Georg Kramp, has in the last few years developed into an international company, renowned for its quality guarantees. Over the last eight years a separate sales office has been established in the United States of America with ample warehousing to supply the North-, Central- and South American markets as well as Canada.



**GKS-PERFEKT/  
Top quality  
products**

Our operation is certified to DIN EN ISO 9001:2015, meaning it applies state-of-the-art manufacturing methods and thus is able to reach consistently high quality standards. Each jack and moving trolley must pass rigorous testing before delivery. The jacks are delivered with a test certificate and a sticker stating its next required service date. Our transport trolleys are all powder-coated rather than painted.



**GKS-PERFEKT/  
Customer orientation  
and expert advice**

We deliver a perfect solution for whatever your heavy-duty transport requirements may be. Professional and fast. Either from our standard product range for heavy loads up to 120 t or as a custom solution for heavy loads up to 200 t.



## Company philosophy

We continuously strive for improvement, even of our best products, to ensure the highest quality of our product line. From the beginning, our goal has been to realize the best possible way to lift, move and remain user friendly. The global distribution of our lifting and transport trolleys has made our cross-cultural approach possible and helps us to keep developing our products for ever easier and more sensible handling. Meeting the needs of the individual customer is important to us. A number of custom modifications of our products have been designed to address these requirements of industry and commerce. We are open to and actively participate in the ongoing social and technological changes. In fact, we see change as an opportunity to further develop the quality of our products and services for our customers. This includes sustainable investments in innovation, to further develop our strong points. It is our aim to build a successful, profitable relationship between us, our customers, employees and partner companies.

This is what we stand for and what we continue to evolve towards.

Our products are sold worldwide and we are particularly proud that our ROBOTS are used not only in mechanical engineering and machine construction, but also in the chemical industry, in the IT sector, in BIO or medical engineering (i.e. cleanroom equipment), e.g. to move computer tomography equipment.



## Employees

The company's success depends on our employees. That is why we invest in training and support the talent and experience of our staff through long-term employment relationships. It is important to us that our employees utilize their abilities and knowledge to the fullest and can be involved in shaping the company. Our company culture is characterized by a philosophy of designing and creating as a team of self-motivated employees, tackling even the most challenging of tasks.

**5 Jahre  
Gewähr-  
leistung**

**GKS-PERFEKT/  
Warranty  
and service**

Our products include a 5-year limited warranty according to our current warranty conditions if used as directed and as described in our product manuals, with the exception of our ROBOT (warranty 24 month, battery 450 charging cycles). Our products are supplied ready to use. Our toe jacks are marked with the 5-year warranty certification mark/CE (2-year warranty for the Twinlifter).



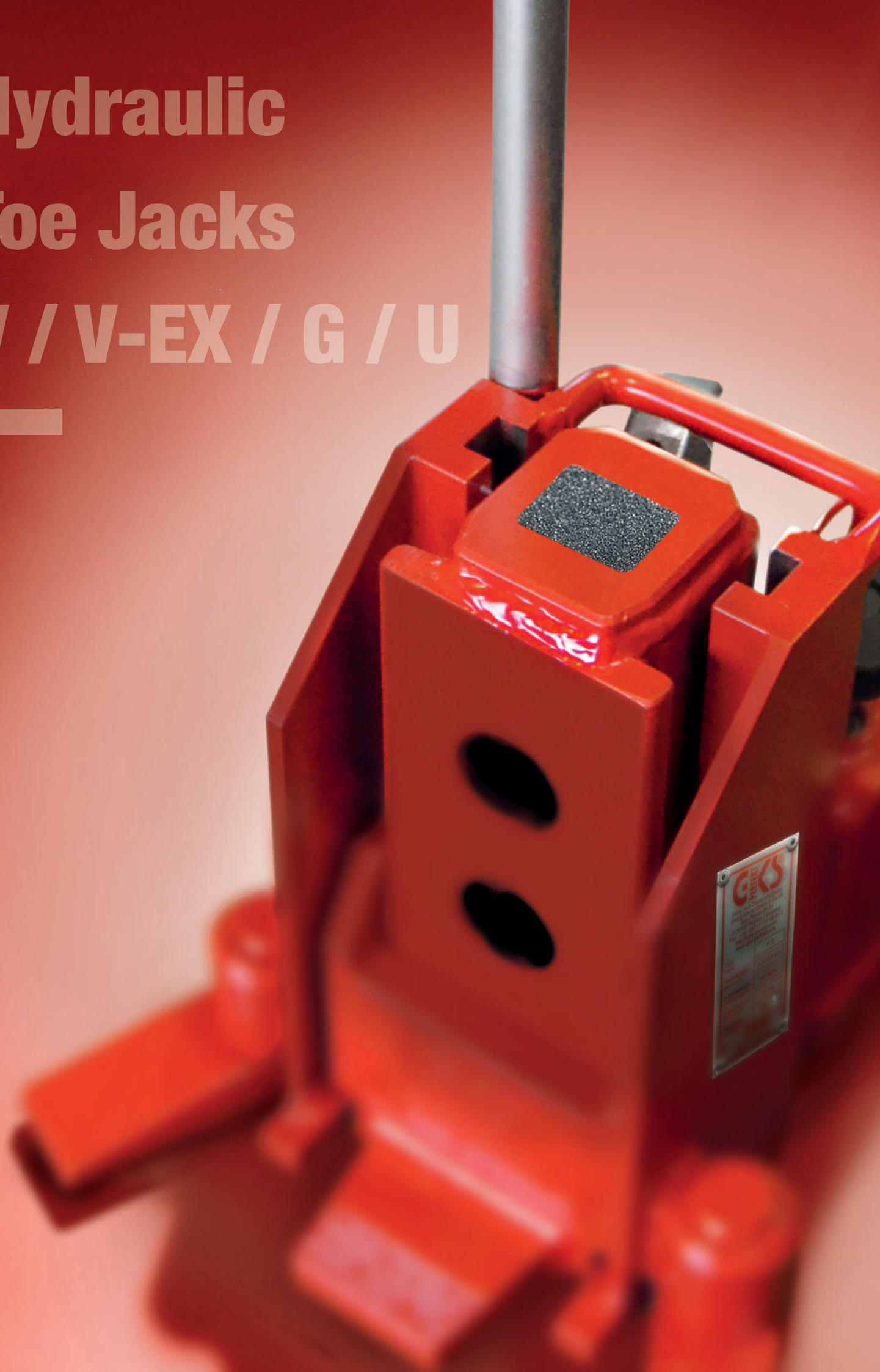
## Maintenance

Should you have questions about the use of our equipment, maintenance, spare parts availability or for quick repair service, simply contact our sales office. More information, technical details or company news can be found on our homepage.

**[www.gks-perfekt.com](http://www.gks-perfekt.com)**

# Hydraulic Toe Jacks

V / V-EX / G / U

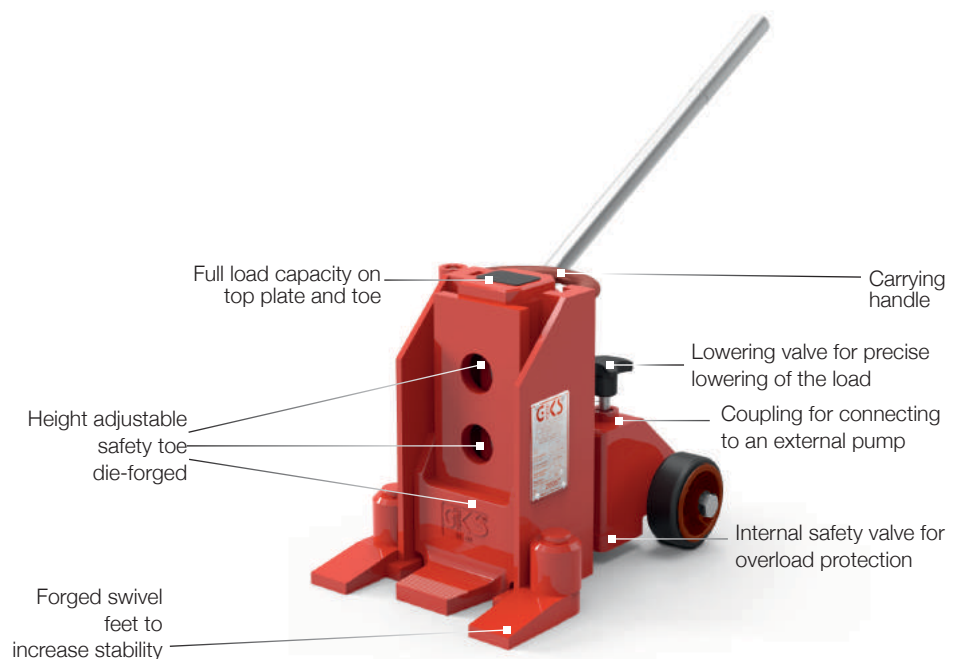


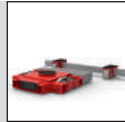
# Hydraulic Toe Jacks V/V-EX/G/U

GKS-PERFEKT hydraulic toe jacks meet the highest quality standards. For decades our equipment has been proven worldwide to be exceptionally robust and durable. Our jacks are 100% tested and approved before leaving the factory to assure proper functionality and appearance. The customer receives a ready to use, practical device for multi-purpose applications at any given site, such as the factory floor, the shop, outside or in production.

## FEATURES

- High-quality materials
- Precision guideways
- Our well-proven, die-forged and hight-adjustable safety toe with high safety margin
- Test mark BGV D8 (DE), ANSI/ASME (US)
- Modular design for easy repair/maintenance
- Lifetime technical support
- Especially low loading height, as low as 15 mm



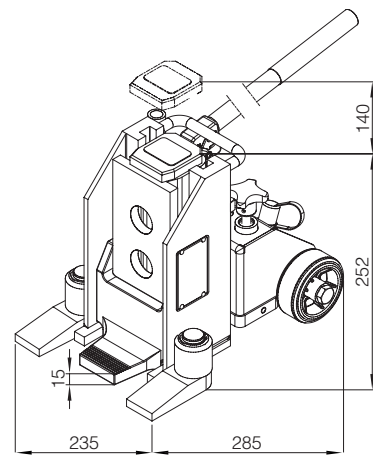


**Toe Jack V5 ▶▶ For heavy loads up to 5 tons**

- Features:**
- Forged safety toe, made of high-strength, hardened and tempered high-quality steel
  - Forging yields a very high safety margin (exceeds the EU Directive 2006/42/EC)
  - A peg on the back secures correct insertion
  - Using the hand pump PV with 2 jacks or electric pump PE with 4 jacks or Quadro synchronous lifting device can double/quadruple the load capacity.



Technical data	V5
Item number	10181
Full load capacity	50 kN (5 t)
Working pressure	520 bar
Minimum loading height using safety toe	15 mm
Lifting height	140 mm
Adjustable range of safety toe	3 x
Loading height using top plate	252 mm
Overall dimensions (L x W x H)	285 x 235 x 252 mm
Tare weight in kg with oil fill	21 kg





**Toe Jack V10 ▶▶ For heavy loads up to 10 tons**

**Features:**

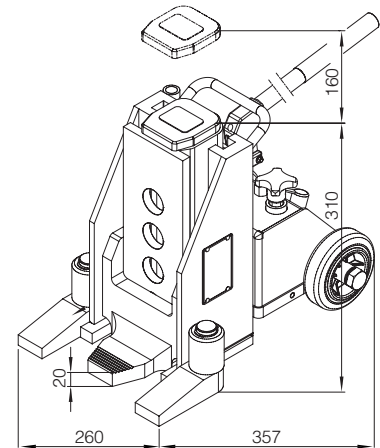
- Forged safety toe, made of high-strength, hardened and tempered steel
- Forging yields a very high safety margin (exceeds the EU Directive 2006/42/EC)
- A peg on the back secures correct insertion
- Using the hand pump PV with 2 jacks or electric pump PE with 4 jacks or Quadro synchronous lifting device can double/quadruple the load capacity.



**Technical data**

**V10**

Item number	10182
Full load capacity	100 kN (10 t)
Working pressure	520 bar
Minimum loading height using safety toe	20 mm
Lifting height	160 mm
Adjustable range of safety toe	4 x
Loading height using top plate	310 mm
Overall dimensions (L x W x H)	357 x 260 x 310 mm
Tare weight in kg with oil fill	32 kg



Contents

Hydraulic  
Toe Jacks

Pumps

Transport Trolleys

Rotating Trolleys

Transport Module  
ROBOT

Wheels

Special  
Transport Trolleys

Repair  
Services



**Toe Jack V15 ▶ ▶ For heavy loads up to 15 tons**

**Features:**

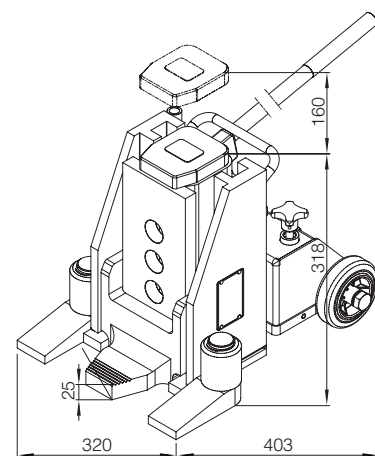
- Forged safety toe, made of high-strength, hardened and tempered steel
- Forging yields a very high safety margin (exceeds the EU Directive 2006/42/EC)
- A peg on the back secures correct insertion
- Using the hand pump PV or electric pump PE with two or more jacks can double/quadruple the load capacity.



**Technical data**

**V15**

Item number	10183
Full load capacity	150 kN (15 t)
Working pressure	520 bar
Minimum loading height using safety toe	25 mm
Lifting height	160 mm
Adjustable range of safety toe	4 x
Loading height using top plate	318 mm
Overall dimensions (L x W x H)	403 x 320 x 318 mm
Tare weight in kg with oil fill	53 kg



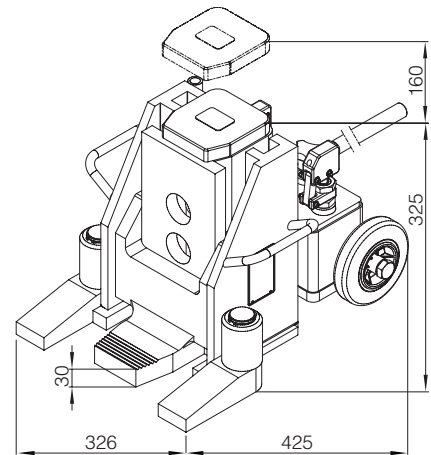




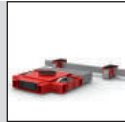
**Toe Jack V20 ▶▶ For heavy loads up to 20 tons**

- Features:**
- Easily roll our toe jacks by tilting the units onto their transport wheels, saving your strength and back
  - Quick lift with triple the travel per lift

Technical data	V20
Item number	10184
Full load capacity	200 kN (20 t)
Working pressure	520 bar
Minimum loading height using safety toe	30 mm
Lifting height	160 mm
Adjustable range of safety toe	3 x
Loading height using top plate	325 mm
Overall dimensions (L x W x H)	425 x 326 x 325 mm
Tare weight in kg with oil fill	72 kg



- Contents
- Hydraulic Toe Jacks
- Pumps
- Transport Trolleys
- Rotating Trolleys
- Transport Module ROBOT
- Wheels
- Special Transport Trolleys
- Repair Services



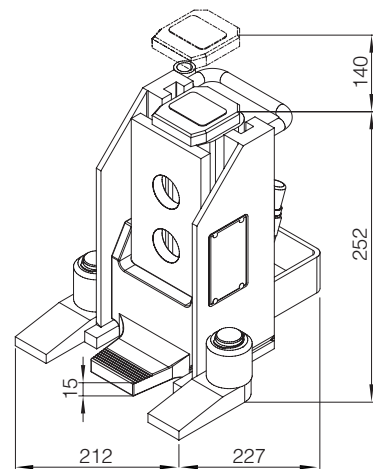
**Toe Jack V5-EX ▶▶ For heavy loads up to 5 tons**

**Features:**

- For difficult to access spaces and where a safety distance is required
- Up to two hydraulic jacks can be operated with the hand pump PV or (up to four jacks) with the electric pump PE
- only for use with an external pump

**Technical data**

	V5-EX
Item number	10185
Full load capacity	50 kN (5 t)
Working pressure	520 bar
Minimum loading height using safety toe	15 mm
Lifting height	140 mm
Adjustable range of safety toe	3 x
Loading height using top plate	252 mm
Overall dimensions (L x W x H)	227 x 212 x 252 mm
Tare weight in kg	17 kg





**Toe Jack V10-EX ▶▶ For heavy loads up to 10 tons**

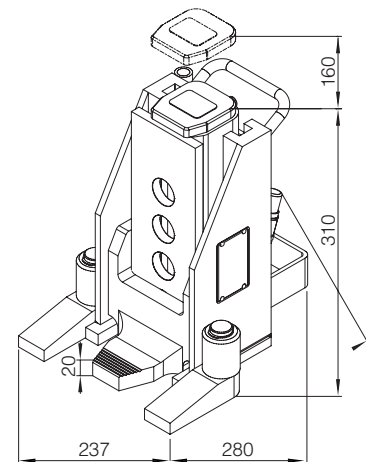
**Features:**

- For difficult to access spaces and where a safety distance is required
- Up to two hydraulic jacks can be operated with the hand pump PV or (up to four jacks) with the electric pump PE
- only for use with an external pump

**Technical data**

**V10-EX**

Item number	10186
Full load capacity	100kN (10 t)
Working pressure	520 bar
Minimum loading height using safety toe	20 mm
Lifting height	160 mm
Adjustable range of safety toe	4 x
Loading height using top plate	310 mm
Overall dimensions (L x W x H)	280 x 237 x 310 mm
Tare weight in kg	27 kg



Contents

Hydraulic  
Toe Jacks

Pumps

Transport Trolleys

Rotating Trolleys

Transport Module  
ROBOT

Wheels

Special  
Transport Trolleys

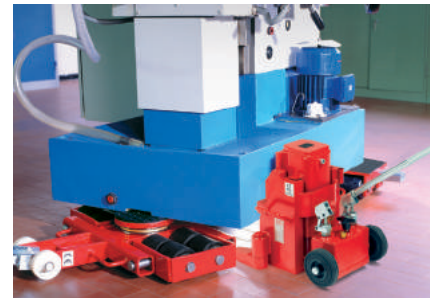
Repair  
Services



**Toe Jack V30-EX ▶▶ For heavy loads up to 30 tons**

**Features:**

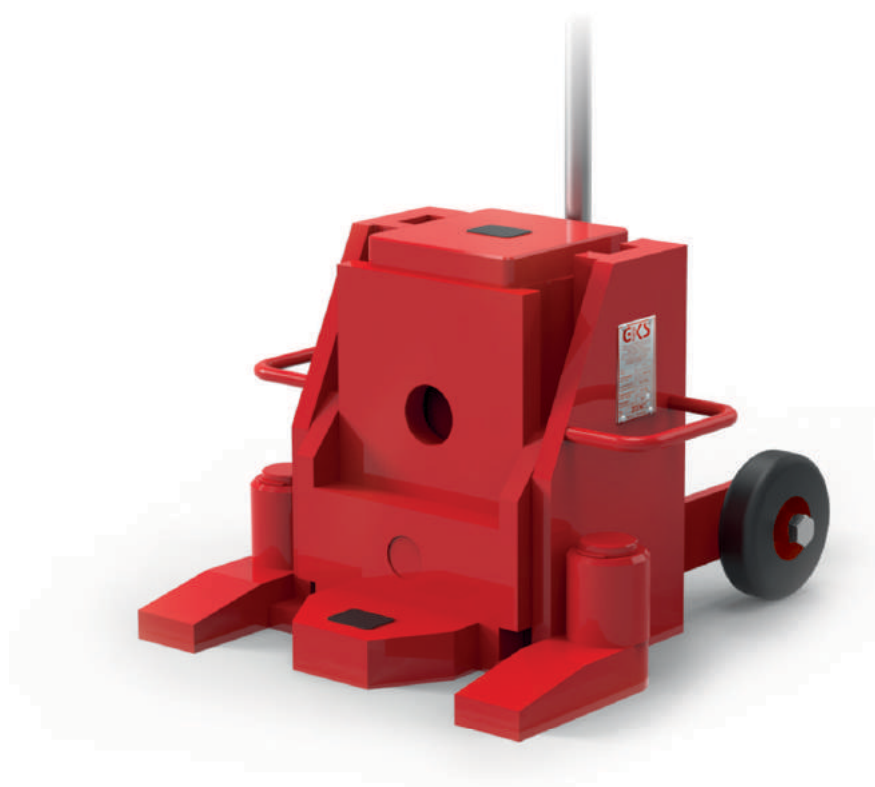
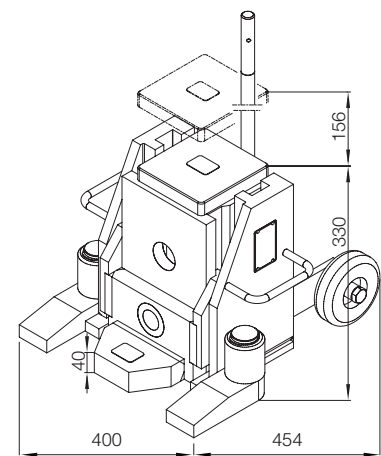
- For difficult to access spaces and where a safety distance is required
- Operated with the hand pump PV (one jack) or with the electric pump PE (up to two jacks)
- only for use with an external pump

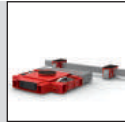


**Technical data**

**V30-EX**

Item number	11140
Full load capacity	300 kN (30 t)
Minimum loading height using safety toe	40 mm
Working pressure	430 bar
Lifting height	156 mm
Adjustable range of safety toe	2 x
Loading height using top plate	330 mm
Overall dimensions (L x W x H)	454 x 400 x 330 mm
Tare weight in kg	105 kg





**Toe Jack V5K-EX ▶▶ For heavy loads up to 5 tons**

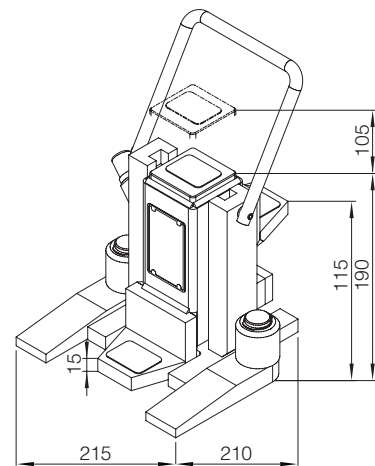
**Features:**

- Low build with solid feet on both sides
- Up to two hydraulic jacks can be operated with the hand pump PV or (up to four jacks) with the electric pump PE
- only for use with an external pump

**Technical data**

**V5K-EX**

Item number	10187
Full load capacity	50 kN (5 t)
Working pressure	520 bar
Minimum loading height using safety toe	15 mm
Lifting height	105 mm
Maximum lifting height for toe 1 / toe 2	120 / 220 mm
Loading height using top plate	190 mm
Overall dimensions (L x W x H)	210 x 215 x 190 mm
Tare weight in kg	12 kg



Contents

Hydraulic  
Toe Jacks

Pumps

Transport Trolleys

Rotating Trolleys

Transport Module  
ROBOT

Wheels

Special  
Transport Trolleys

Repair  
Services



**Toe Jack V10K-EX ▶ ▶ For heavy loads up to 10 tons**

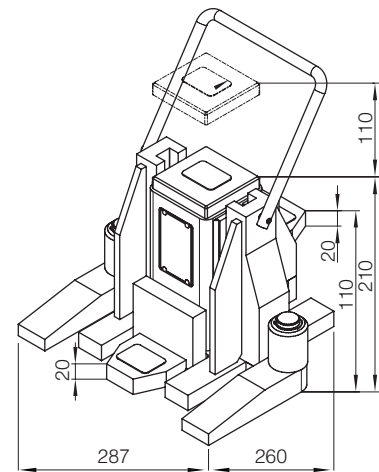
**Features:**

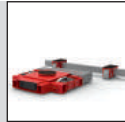
- Low build with solid feet on both sides
- Up to two hydraulic jacks can be operated with the hand pump PV or (up to four jacks) with the electric pump PE
- only for use with an external pump

**Technical data**

**V10K-EX**

Item number	11889
Full load capacity	100kN (10 t)
Working pressure	520 bar
Minimum loading height using safety toe	20 mm
Lifting height	110 mm
Maximum lifting height for toe 1 / toe 2	130 / 220 mm
Loading height using top plate	210 mm
Overall dimensions (L x W x H)	260 x 287 x 210 mm
Tare weight in kg	24 kg

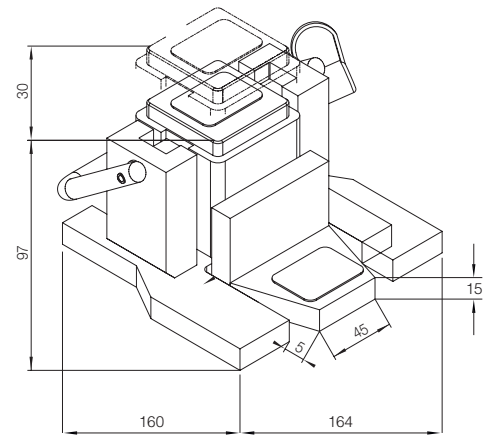




**Toe Jack V5KK-EX ▶ ▶ For heavy loads up to 5 tons**

**Features:**

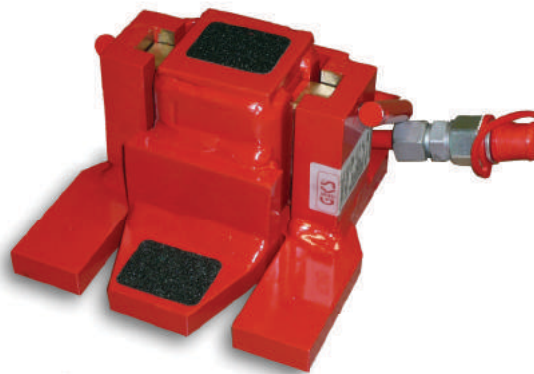
- Extremely low build for enclosed machines
- Compact dimensions, low design, low weight but 50 kN full-load capacity. This toe jack is ideal for low-built machines with sheet metal enclosures.
- Even difficult to access spaces can be met with a hydraulic hose, quick-release coupling and a model PV-K hand pump. Up to two jacks can be connected.
- This jack is your first choice if workplace safety is of utmost importance and the load must be lifted from the distance.
- Using a screwed guideways design diminishes wear and the components are easy to replace
- only for use with an external pump



**Technical data**

**V5KK-EX**

Item number	13701
Full load capacity	50 kN (5 t)
Working pressure	520 bar
Minimum loading height using safety toe	15 mm
Lifting height	30 mm
Loading height using top plate	97 mm
Overall dimensions (L x W x H)	160 x 164 x 97 mm
Tare weight in kg	7 kg



Contents

Hydraulic  
Toe Jacks

Pumps

Transport Trolleys

Rotating Trolleys

Transport Module  
ROBOT

Wheels

Special  
Transport Trolleys

Repair  
Services



**Toe Jack G5 ▶ ▶ For heavy loads up to 5 tons**

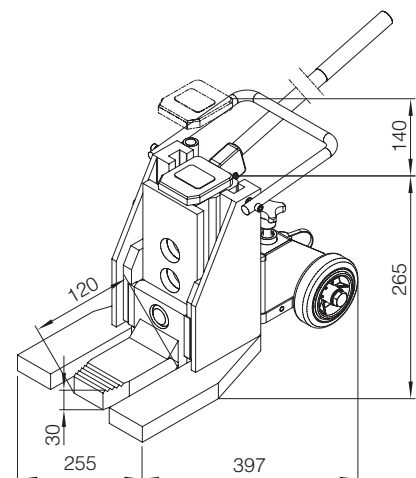
**Features:**

- Specially designed for maintenance purposes on fork lift trucks and other industrial vehicles
- Outstanding stability due to solid feet and an extended grooved safety toe

**Technical data**

**G5**

Item number	10189
Full load capacity	50 kN (5 t)
Working pressure	520 bar
Minimum loading height using safety toe	30 mm
Lifting height	140 mm
Adjustable range of safety toe	3 x
Loading height using top plate	265 mm
Overall dimensions (L x W x H)	397 x 255 x 265 mm
Tare weight in kg with oil fill	30 kg







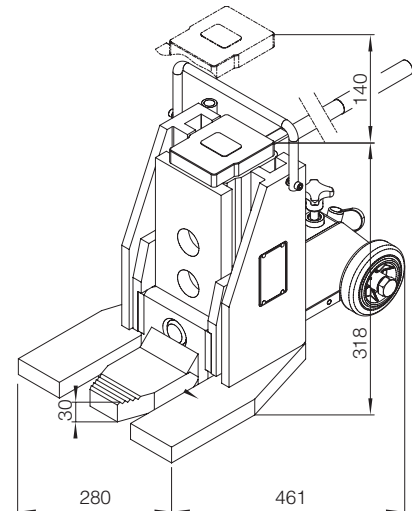
**Toe Jack G10 ▶ ▶ For heavy loads up to 10 tons**

**Features:**

- Specially designed for maintenance purposes on fork lift trucks and other industrial vehicles
- Outstanding stability due to solid feet and an extended grooved safety toe



Technical data	G10
Item number	12378
Full load capacity	100 kN (10 t)
Working pressure	520 bar
Minimum loading height using safety toe	30 mm
Lifting height	140 mm
Adjustable range of safety toe	3 x
Loading height using top plate	318 mm
Overall dimensions (L x W x H)	461 x 280 x 318 mm
Tare weight in kg with oil fill	57 kg



- Contents
- Hydraulic Toe Jacks
- Pumps
- Transport Trolleys
- Rotating Trolleys
- Transport Module ROBOT
- Wheels
- Special Transport Trolleys
- Repair Services

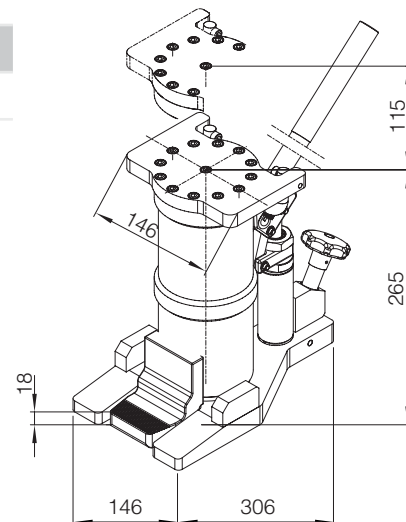


**Unilifter U6 ▶▶ For heavy loads up to 6 tons**

**Features:**

- An all-purpose toe jack for horizontal and vertical use

Technical data	U6
Item number	13292
Full load capacity	60 kN (6 t)
Working pressure	720 bar
Minimum loading height using safety toe	18 mm
Lifting height	115 mm
Loading height using top plate	265 mm
Overall dimensions (L x W x H)	306 x 146 x 265 mm
Tare weight in kg with oil fill	15 kg





**Synchronous lifting device Quadro 60 ▶▶ For heavy loads up to 60 tons**

**Features:**

- The synchronous lifting device secures synchronous lifting or lowering of loads regardless of weight distribution. It has been designed specifically for four of our standard toe jacks, max. models V15 / V15EX, which results in a total lifting capacity of up to 60 t.
- The toe jacks can be set to the desired positions individually from the control panel, in case of differing loading heights, and then be raised synchronously.
- The operation is carried out via an electric pump with remote control.
- The toe jacks are connected via 8 m long hoses, which are stored on four hose reels, equipped with an automatic retraction system.
- The system includes a heavy-duty trolley.



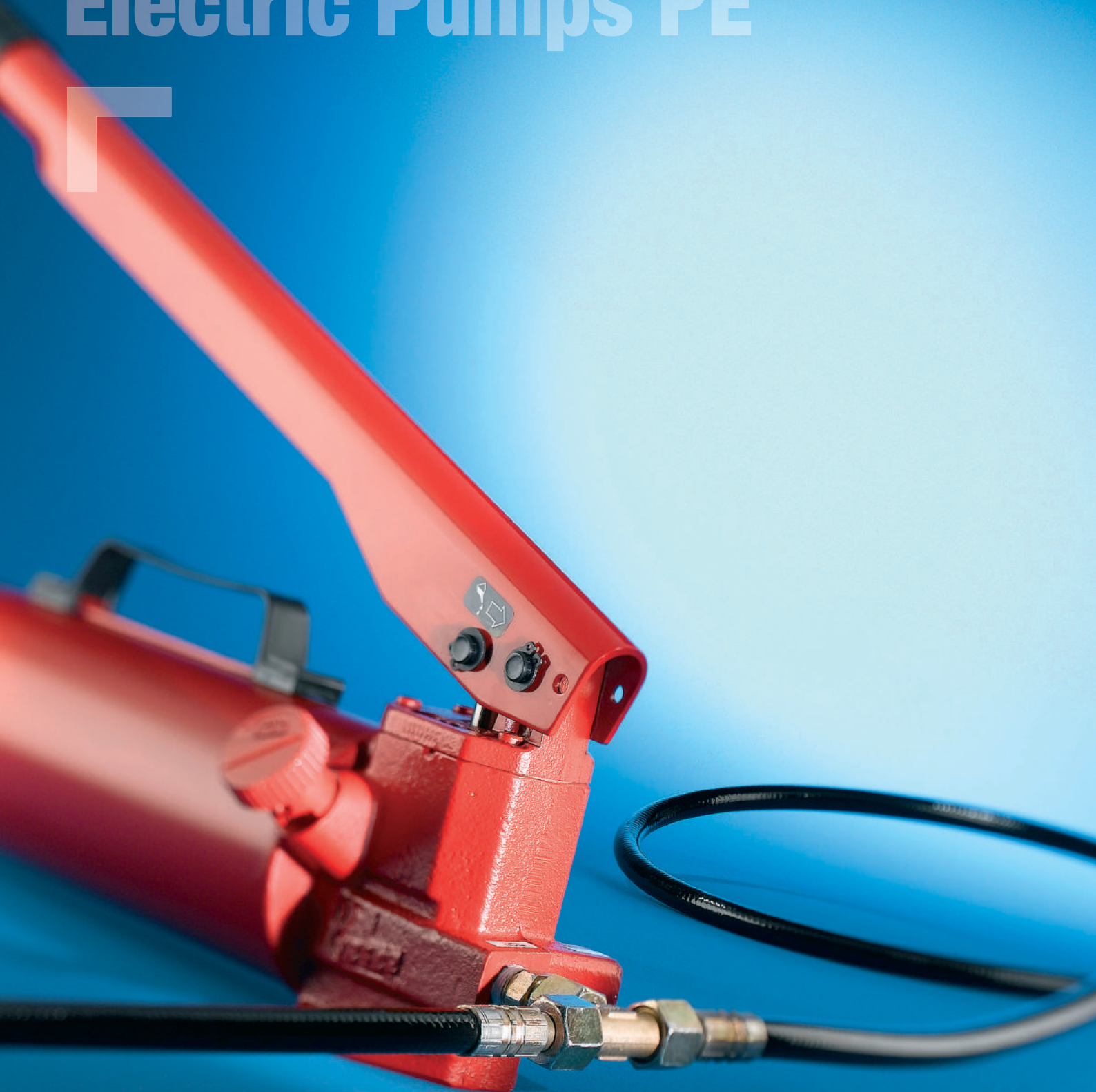
Technical data	Quadro 60
Item number	13826 *
Max. load capacity	600 kN (60 t) **
Working pressure	520 bar
Compatible with four toe jacks each	For GKS toe jacks V5 to V15 and V5-EX to V15-EX
Hydraulic unit	Electric pump PE ***
Dimensions (L x W x H)	2000 x 800 x 1480 mm
Hose connection	4 x 8 m ****
Total weight	400 kg *****



- \* Toe jacks are not included with the supply
- \*\* Depending on the size of the toe jack
- \*\*\* Other pump sizes are possible
- \*\*\*\* Custom lengths available on request, depending on hose connection, coupling + quick-release fastener
- \*\*\*\*\* Depending on accessories / toe jacks

- Contents
- Hydraulic Toe Jacks
- Pumps
- Transport Trolleys
- Rotating Trolleys
- Transport Module ROBOT
- Wheels
- Special Transport Trolleys
- Repair Services

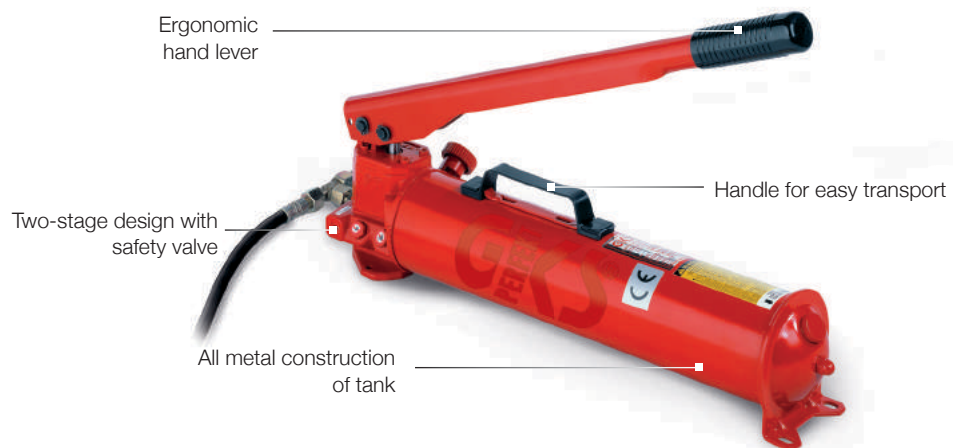
# Hydraulic Hand Pumps PV and Electric Pumps PE



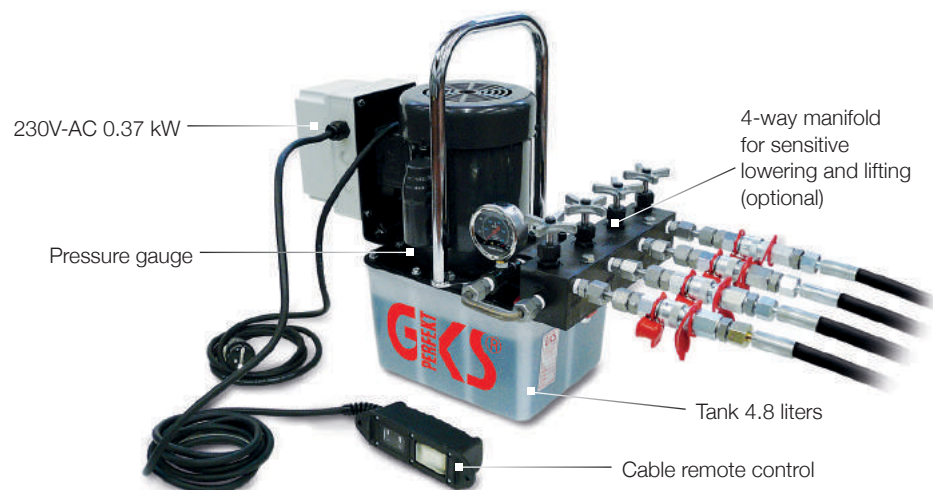
# Hydraulic hand pumps PV and electric pumps PE

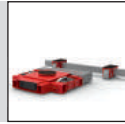
The hydraulic hand pump PV and the electric pump PE enable the use of two or more toe jacks together. The full load capacity can be doubled or quadrupled this way. Plus, it facilitates working from the distance without risk of injury.

## Hand pump PV



## Electric pump PE





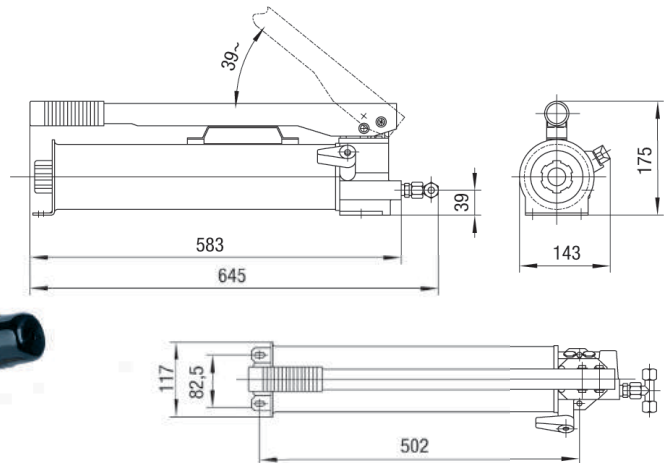
## Hydraulic Hand Pumps PV

### Features:

- Standard with 2 x 2 m hydraulic hoses with non-drip quick-release fasteners
- Options: Gauge, shut-off needle valve, extended hydraulic hoses



Technical data	PV
Item number	10198
Working pressure (preset)	520 bar
Flow rate stage 1 per lift	42 cm <sup>3</sup> / 30 bar
Flow rate stage 2 per lift	2.6 cm <sup>3</sup> / 520 bar
Tank capacity	2.25 l
Overall dimensions (L x W x H)	645 x 143 x 175 mm
Tare weight in kg incl. oil fill (without hoses)	12 kg
Hydraulic hose (2 m), quick-release fastener	2
For GKS toe jack models	each 2 x V5, V5-EX, V5K-EX, V10, V10-EX, V15, V20, 1 x V30-EX*





## Hydraulic Hand Pump PV- K

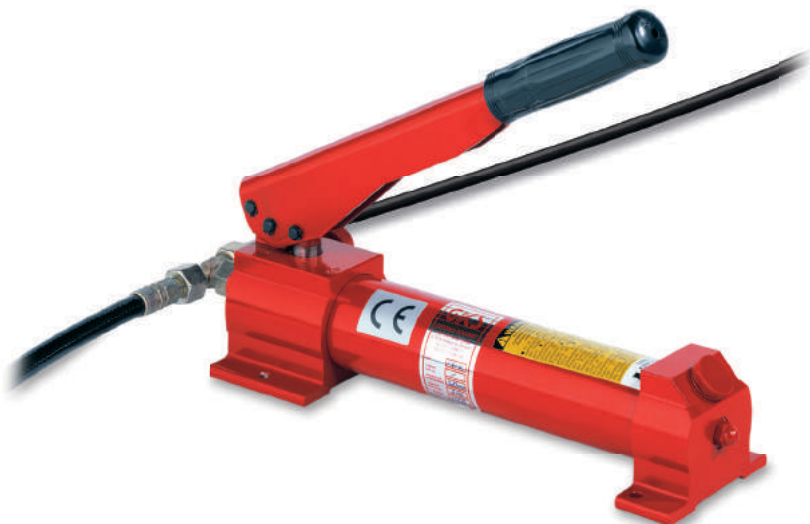
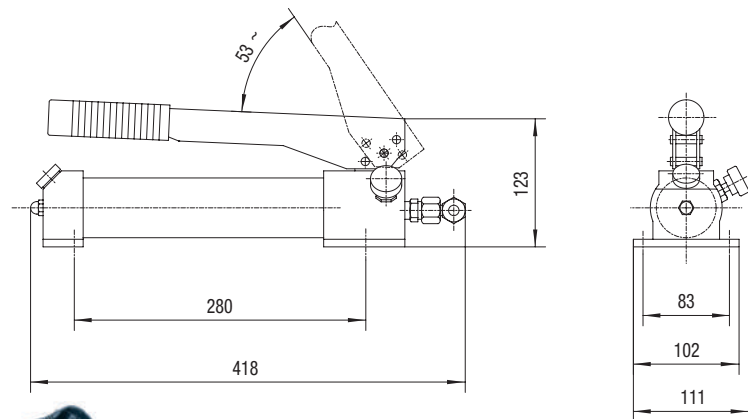
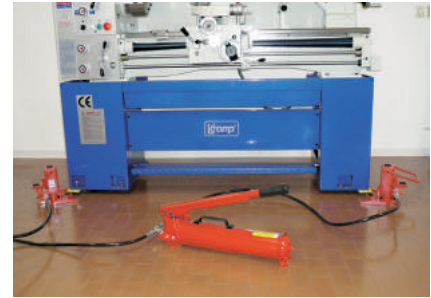
### Features:

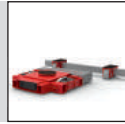
- Standard with 2 x 2 m hydraulic hoses with non-drip quick-release fasteners
- Options: Gauge, shut-off valve, extended hydraulic hoses

### Technical data

### PV-K

Item number	10197
Working pressure (preset)	520 bar
Flow rate stage 1 per lift	5 cm <sup>3</sup> / 30 bar
Flow rate stage 2 per lift	1.2 cm <sup>3</sup> / 520 bar
Tank capacity	0.33 l
Overall dimensions (L x W x H)	418 x 111 x 123 mm
Tare weight incl. oil fill (without hoses)	3 kg
Hydraulic hose (2 m), quick-release fastener	2
For GKS toe jack models	2 x V5KK-EX, V5K-EX, V10K-EX





## Hydraulic Electric Pump PE

### Features:

- Standard model including remote control, pressure gauge, 2/2 directional control valves for single-acting cylinders and 2 x 3 m hydraulic hoses with non-drip quick-release fasteners on both sides.

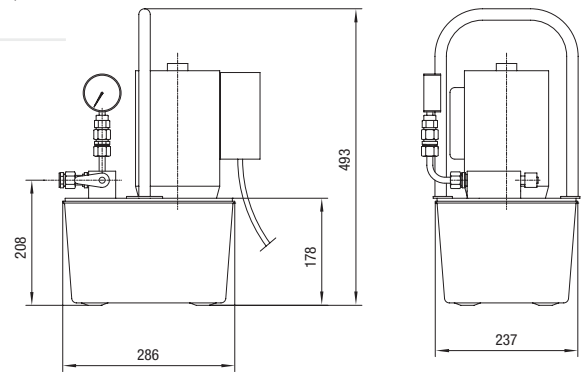
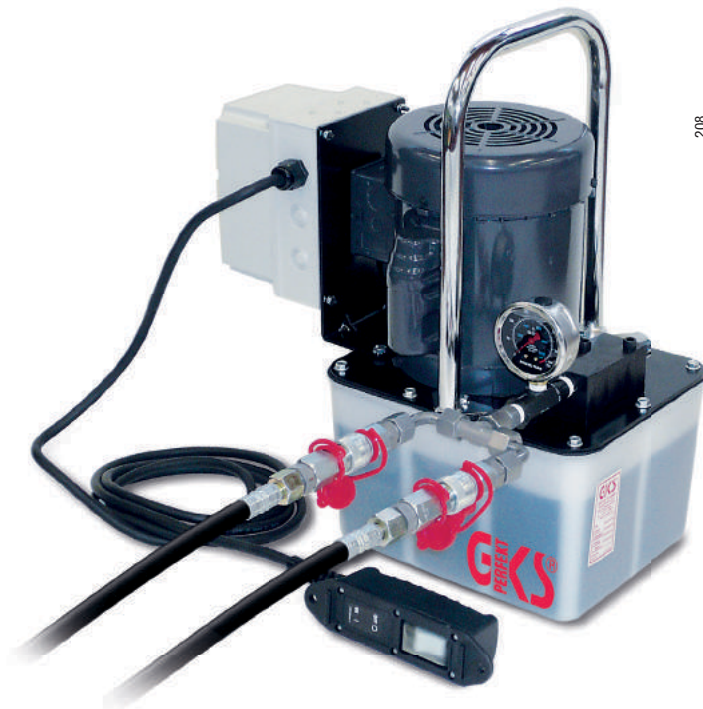


### Technical data

### PE

Item number	10199
Working pressure (preset)	520 bar
Flow rate stage 1 7 bar	2.5 l / min
Flow rate stage 2 520 bar	0.3 l / min
Tank capacity*	4.7 l
Overall dimensions (L x W x H)	286 x 237 x 493 mm
Tare weight in kg incl. oil fill (without hoses)	30 kg
Hydraulic hose (3 m), quick-release fastener	2
Electrical connection	230 V / 50 Hz
For GKS toe jack models	2 x V5, V5-EX, V5K-EX, G5, V10, V10K, V10-EX, V15, V20, V30-EX

\* Optional 9.5 l tank







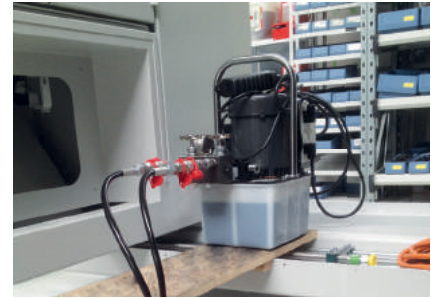
## Hydraulic Electric Pump PE2

### Features:

- Like PE, but with added 2-way manifold including 2 male couplings and 2 needle valves for sensitive lifting and lowering.

### Technical data

	PE2
Item number	13591
Working pressure (preset)	520 bar
Flow rate stage 1 7 bar	2.5 l / min
Flow rate stage 2 520 bar	0.3 l / min
Tank capacity*	4.7 l
Overall dimensions (L x W x H)	434 x 296 x 493 mm
Tare weight in kg incl. oil fill (without hoses)	35 kg
Hydraulic hose (3 m), quick-release fastener	2
Electrical connection	230 V / 50 Hz
For GKS toe jack models	2 x V5, V5-EX, V5K-EX, G5, V10, V10K, V10-EX, V15, V20, V30-EX



Contents

Hydraulic  
Toe Jacks

Pumps

Transport Trolleys

Rotating Trolleys

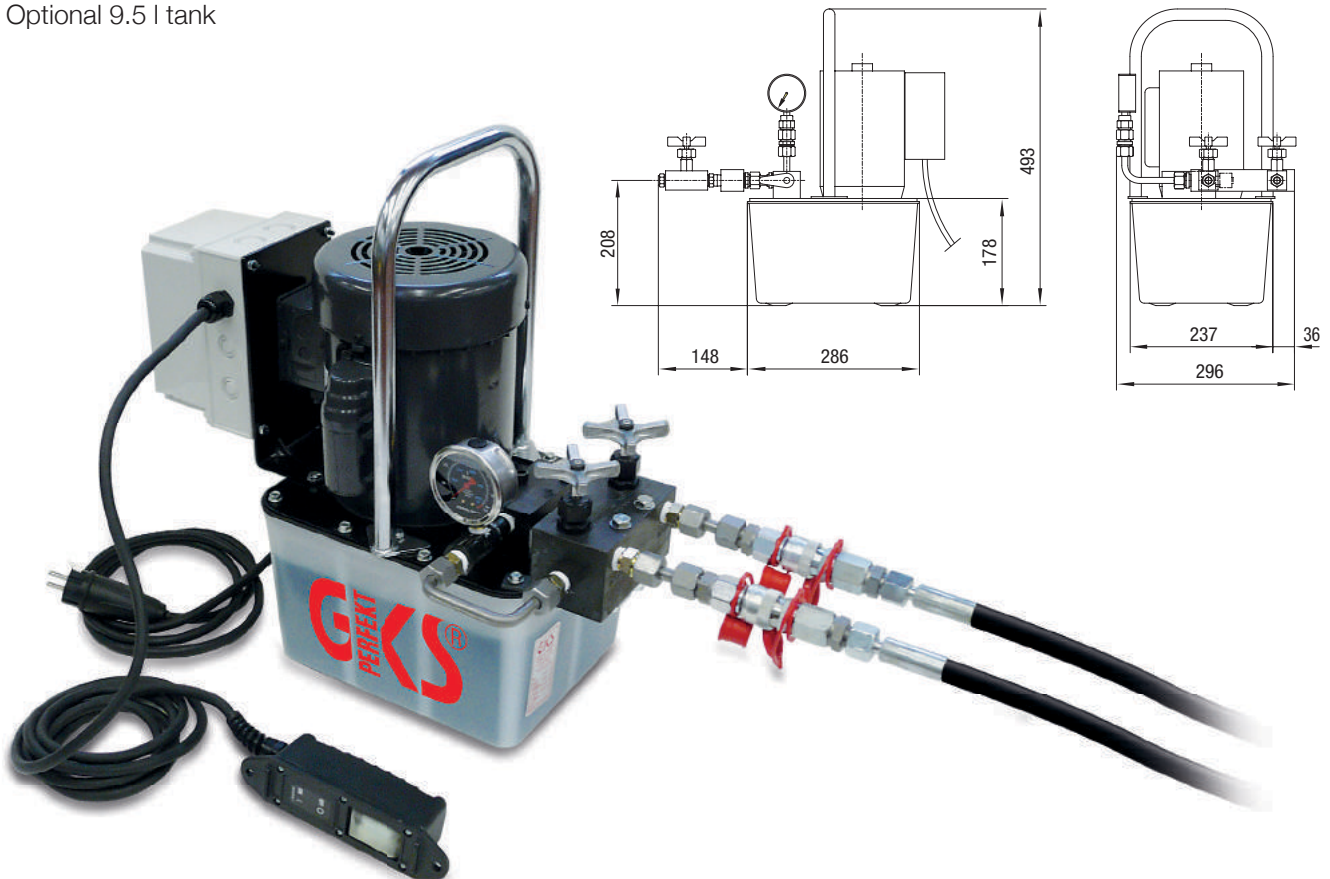
Transport Module  
ROBOT

Wheels

Special  
Transport Trolleys

Repair  
Services

\* Optional 9.5 l tank





## Electric Pump PE4

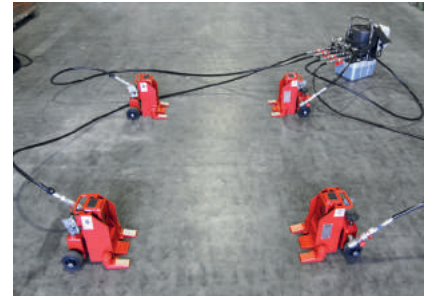
### Features:

- Like PE2, but with 4-way manifold and 4 x 3 m hoses.
- Optional: extended hose lengths, bigger oil reservoir (9.5 l) \*

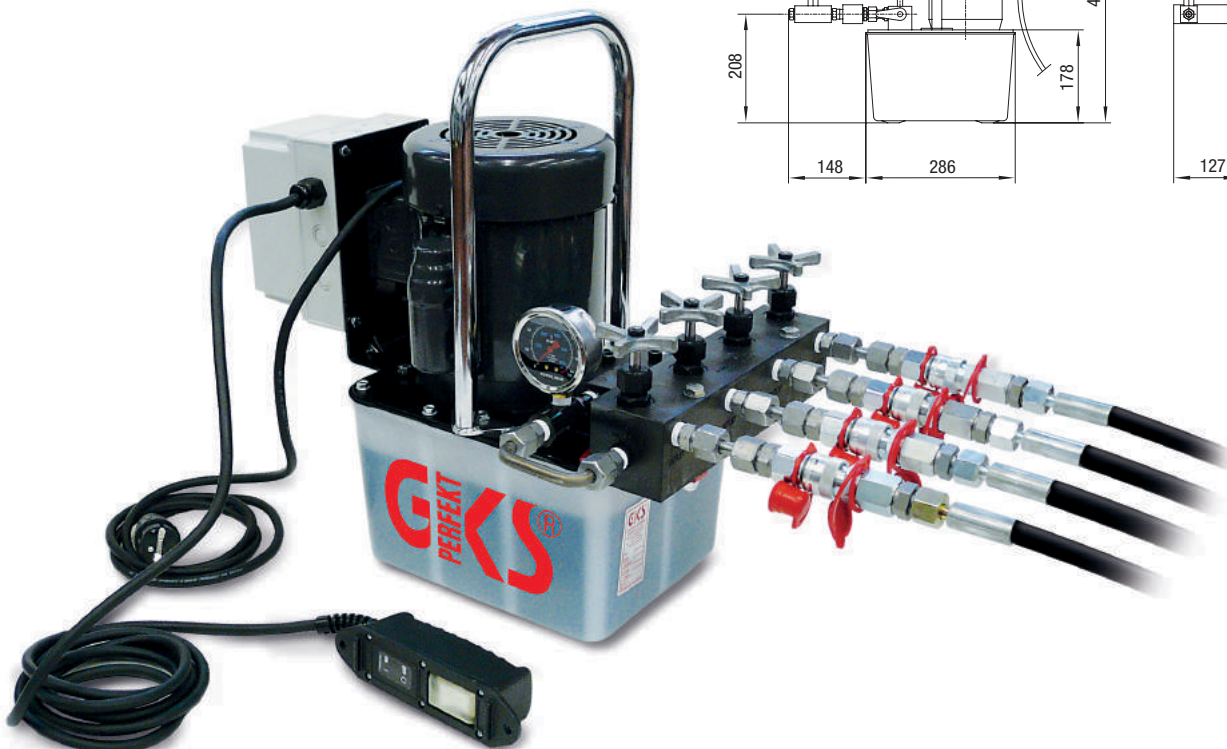
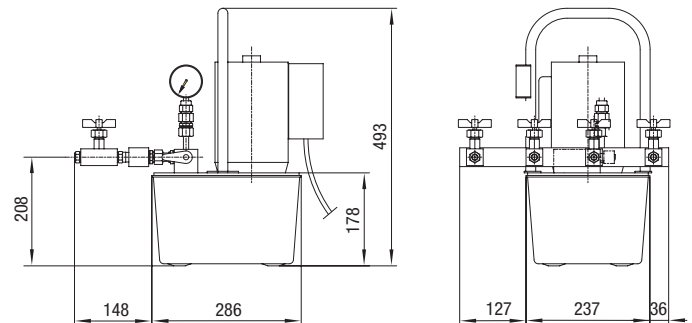
### Technical data

### PE4

Item number	13592
Working pressure (preset)	520 bar
Flow rate stage 1 7 bar	2.5 l / min
Flow rate stage 2 520 bar	0.3 l / min
Tank capacity*	4.7 l
Overall dimensions (L x W x H)	434 x 296 x 493 mm
Tare weight in kg incl. oil fill (without hoses)	44 kg
Hydraulic hose (3 m), quick-release fastener	4
Electrical connection	230 V / 50 Hz
For GKS toe jack models	4 x V5, V5-EX, V5K-EX, G5, V10, V10K, V10-EX, V15, V20, 2 x V30-EX



\* Optional 9.5 l tank





**GKS-PERFEKT ▶▶ High-Pressure Hydraulics**

**GKS-PERFEKT high-pressure hydraulics**

In addition to our own GKS-PERFEKT product range of toe jacks and transport trolleys, we also offer high-pressure hydraulic tools and accessories.

The detailed catalog is available for download on our website at [www.gks-perfekt.com](http://www.gks-perfekt.com) and, of course, also by mail.



Contents

Hydraulic  
Toe Jacks

Pumps

Transport Trolleys

Rotating Trolleys

Transport Module  
ROBOT

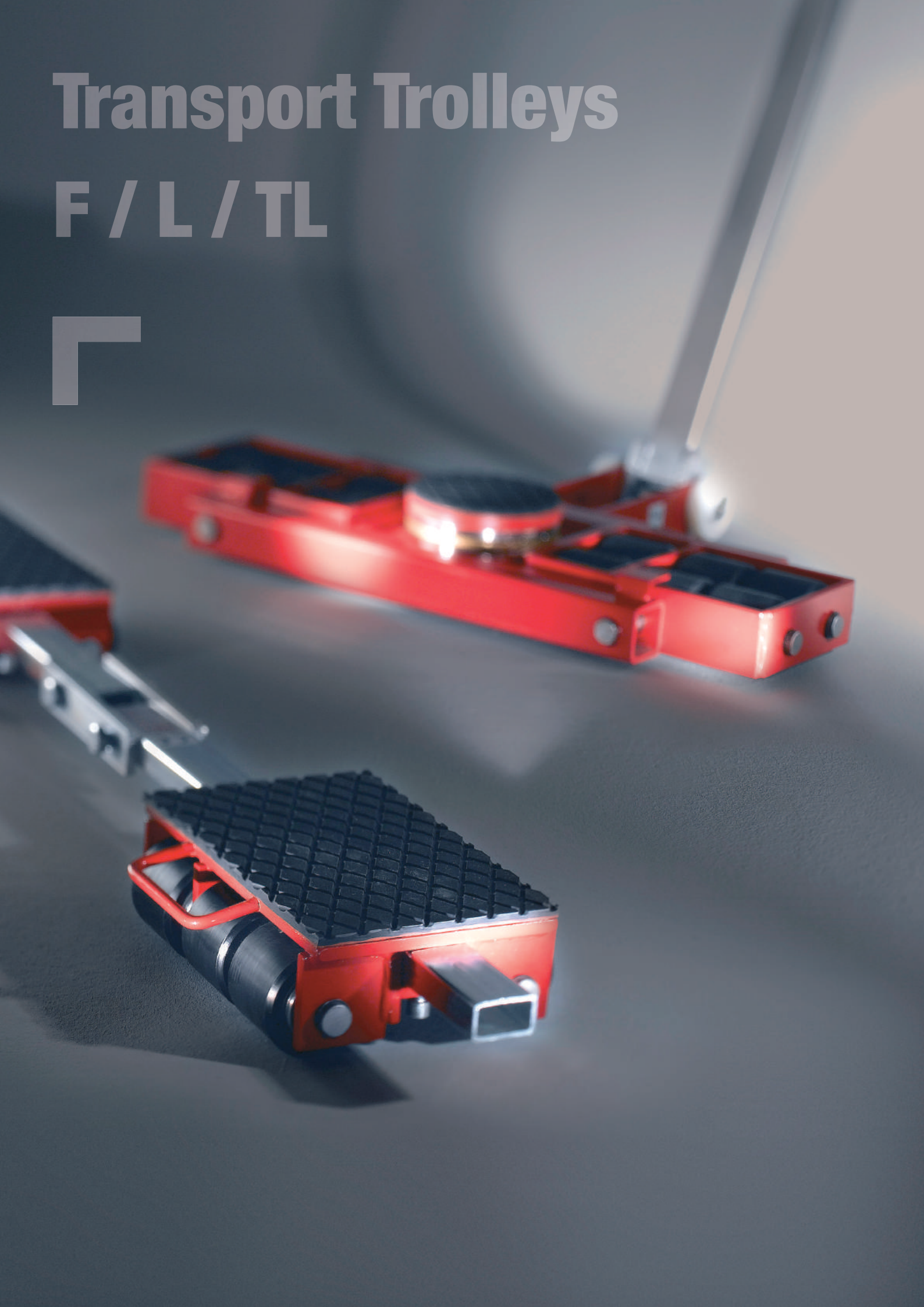
Wheels

Special  
Transport Trolleys

Repair  
Services

# Transport Trolleys

F / L / TL

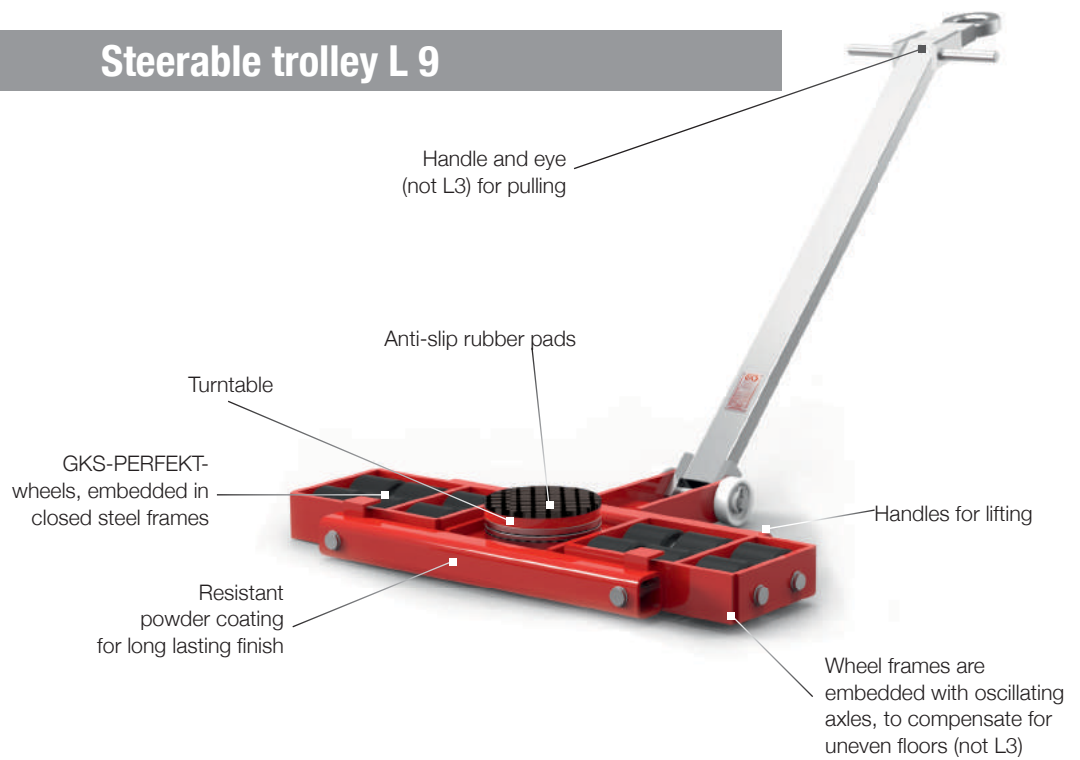


# Transport Trolleys

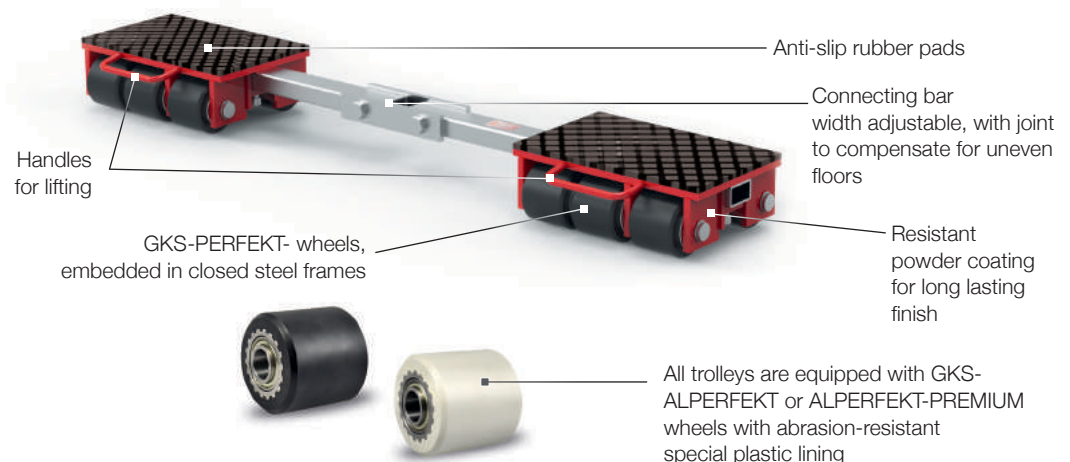
## F / L / TL

Our GKS-PERFEKT transport trolleys for loads up to 120 t have proven themselves worldwide over many decades. The set, consisting of the steerable trolley L and the rear trolley F, offers 3-point support, which makes it the perfect solution for safe transport. Long or bulky loads can be moved just as safely with the tandem trolleys TL. Various wheel linings facilitate a wide range of applications from use on sensitive flooring to heavily contaminated surfaces.

### Steerable trolley L 9



### Fixed rear trolley F 9



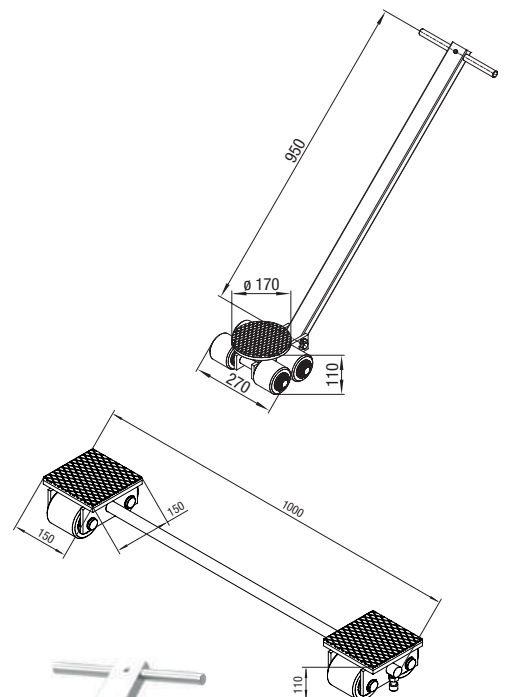


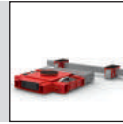
**Transport Trolleys F3 / L3 ▶ ▶ For heavy loads up to 6 tons**

- Features:**
- Sturdy construction
  - Extremely low loading height: 110 mm
  - All trolleys with the same loading height can be combined
  - High durability wheels have been tested for years
  - Handles with eyes, made from especially robust materials, includes towing eye (not F3)



Technical data	F3	L3
Item number	10206	10207
Loading height / number of wheels (85 x 85 mm)	110 mm / 4	110 mm / 4
Contact surface per cartridge	150 x 150 mm	–
Connecting bar	300–1000 mm	–
Swivel plate ø 170 mm, steering angle	–	± 90°
Steering rod	–	950 mm
Overall dimensions (L x W)	–	270 x 230 mm
Tare weight	15 kg	12 kg
Load Capacity	30 kN (3 t)	30 kN (3 t)
Total load capacity	60 kN (6 t)	





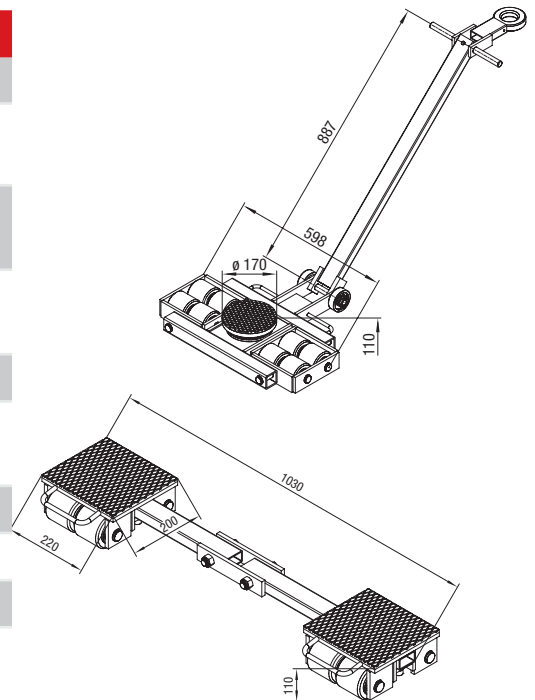
**Transport Trolleys F6 / L6 ▶ ▶ For heavy loads up to 12 tons**

**Features:**

- Sturdy construction
- Extremely low loading height: 110 mm
- All trolleys with the same loading height can be combined
- High durability wheels have been tested for years
- Handles with eyes, made from especially robust materials, includes towing eye



Technical data	F6	L6
Item number	10208	10209
Loading height / number of wheels (85 x 85 mm)	110 mm / 8	110 mm / 8
Contact surface per cartridge	200 x 220 mm	–
Swivel plate ø 170 mm, steering angle	–	± 90°
Steering rod	–	1080 mm
Overall dimensions (L x W)	–	610 x 520 mm
Tare weight	30 kg	41 kg
Load Capacity	60 kN (6 t)	60 kN (6 t)
Total load capacity	120 kN (12 t)	



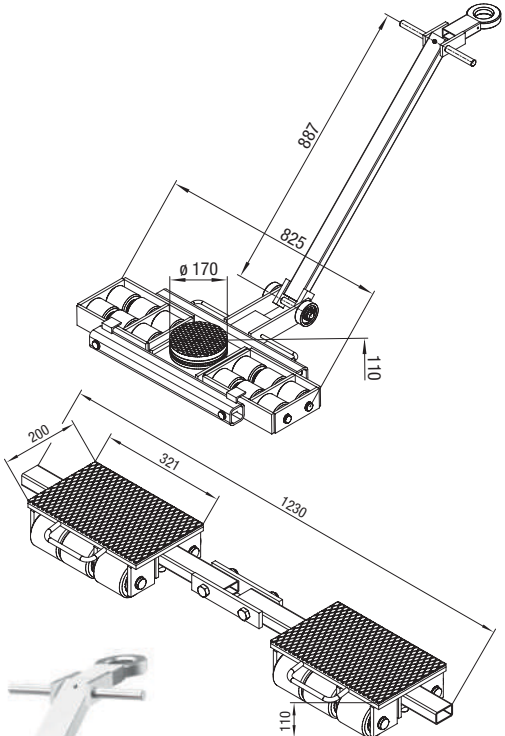
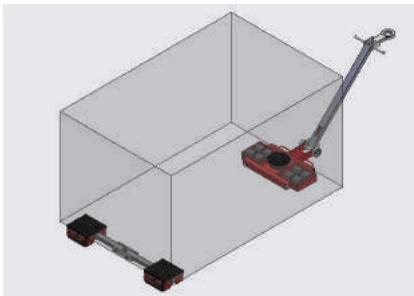
- Contents
- Hydraulic Toe Jacks
- Pumps
- Transport Trolleys
- Rotating Trolleys
- Transport Module ROBOT
- Wheels
- Special Transport Trolleys
- Repair Services



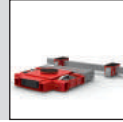
**Transport Trolleys F9 / L9 ▶ ▶ For heavy loads up to 18 tons**

- Features:**
- Can be combined with the Tandem trolleys TL6 / TL12 or Rotating trolleys RL2 / 4 / 6
  - Extremely low loading height: 110 mm

Technical data	F9	L9
Item number	11070	11071
Loading height / number of wheels (85 x 85 mm)	110 mm / 12	110 mm / 12
Contact surface per cartridge	320 x 200 mm	–
Swivel plate ø 170 mm, steering angle	–	± 90°
Steering rod	–	1080 mm
Overall dimensions (L x W)	–	840 x 583 mm
Tare weight	43 kg	59 kg
Load Capacity	90 kN (9 t)	90 kN (9 t)
Total load capacity	180 kN (18 t)	





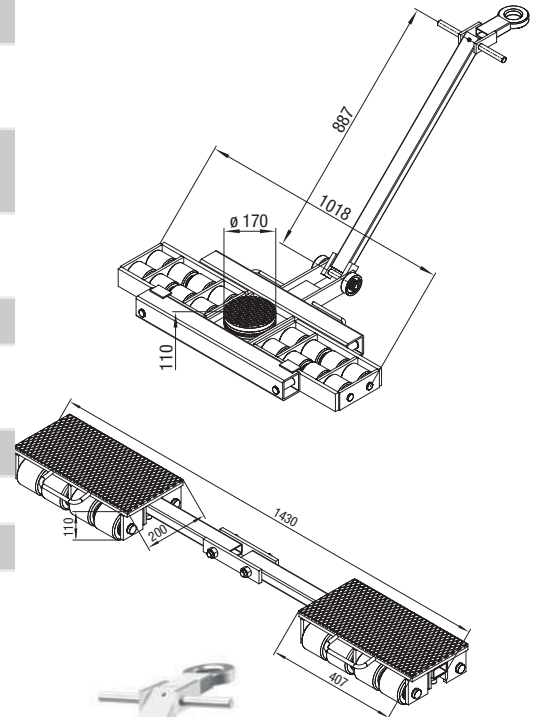
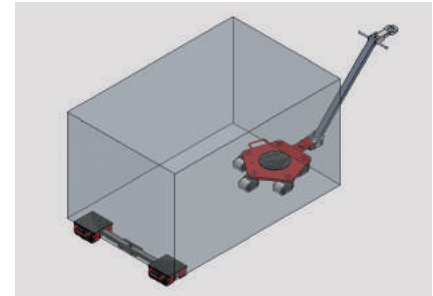


**Transport Trolleys F12 / L12 ▶ ▶ For heavy loads up to 24 tons**

**Features:**

- Can be combined with the Tandem trolleys TL6 / TL12 or Rotating trolleys RL2 / 4 / 6
- Extremely low loading height: 110 mm
- All trolleys of the product ranges F / L3 to F / L18 can be combined with each other

Technical data	F12	L12
Item number	10312	10313
Loading height / number of wheels (85 x 85 mm)	110 mm / 16	110 mm / 16
Contact surface per cartridge	200 x 407 mm	–
Swivel plate ø 170 mm, steering angle	–	± 90°
Steering rod	–	1080 mm
Overall dimensions (L x W)	–	1030 x 620 mm
Tare weight	52 kg	80 kg
Load Capacity	120 kN (12 t)	120 kN (12 t)
Total load capacity	240 kN (24 t)	



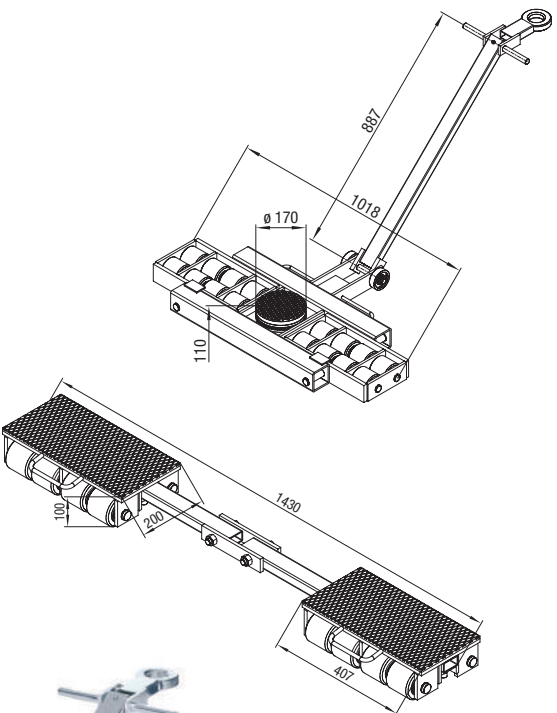
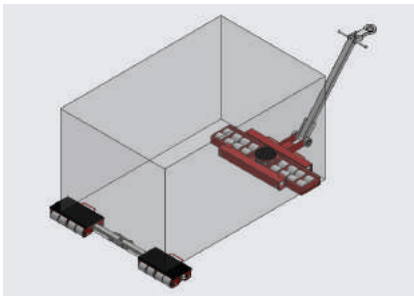
- Contents
- Hydraulic Toe Jacks
- Pumps
- Transport Trolleys
- Rotating Trolleys
- Transport Module ROBOT
- Wheels
- Special Transport Trolleys
- Repair Services



**Transport Trolleys F18 / L18 ▶▶ For heavy loads up to 36 tons**

- Features:**
- Can be combined with the Tandem trolleys TL6 / TL12 or Rotating trolleys RL2 / 4 / 6
  - Extremely low loading height: 110 mm

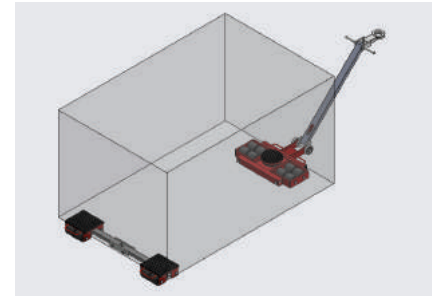
Technical data	F18	L18
Item number	10215	10216
Loading height / number of wheels (85 x 85 mm)	110 mm / 16	110 mm / 16
Contact surface per cartridge	200 x 407 mm	–
Swivel plate ø 170 mm, steering angle	–	± 90°
Steering rod	–	1080 mm
Overall dimensions (L x W)	–	1030 x 620 mm
Tare weight	55 kg	82 kg
Load Capacity	180 kN (18 t)	180 kN (18 t)
Total load capacity	360 kN (36 t)	



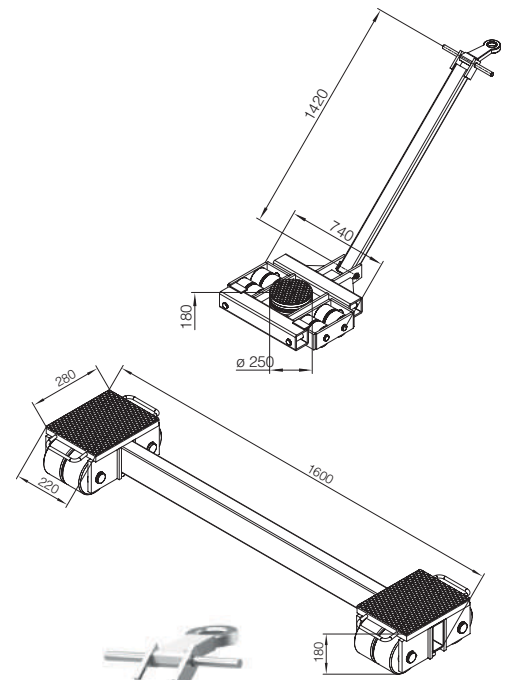


**Transport Trolleys F20 / L20 ▶▶ For heavy loads up to 40 tons**

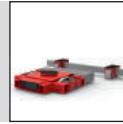
- Features:**
- Heavy-duty transport trolleys F / L20 to F / L60 for loads of 40 to 120 tons
  - Loading height: 180 mm
  - All trolleys of the product ranges F / L20 to F / L60 can be combined with each other



Technical data	F20	L20
Item number	11060	11061
Loading height / number of wheels (140 x 85 mm)	180 mm / 8	180 mm / 8
Contact surface per cartridge	280 x 220 mm	–
Swivel plate ø 250 mm, steering angle	–	± 90°
Steering rod	–	1620 mm
Overall dimensions (L x W)	–	747 x 800 mm
Tare weight	81 kg	170 kg
Load Capacity	200 kN (20 t)	200 kN (20 t)
Total load capacity	400 kN (40 t)	



- Contents
- Hydraulic Toe Jacks
- Pumps
- Transport Trolleys
- Rotating Trolleys
- Transport Module ROBOT
- Wheels
- Special Transport Trolleys
- Repair Services

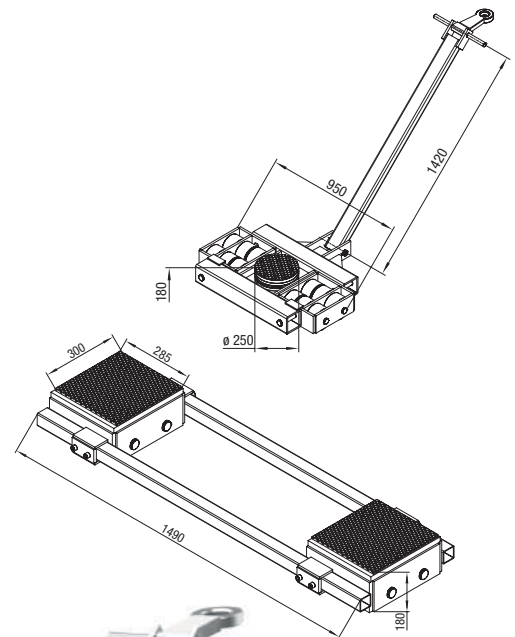


**Transport Trolleys F30 / L30 ▶ ▶ For heavy loads up to 60 tons**

**Features:**

- Can be combined with all trolleys of identical loading height
- Two connecting bars for greater stability

Technical data	F30	L30
Item number	11992	11993
Loading height / number of wheels (140 x 85 mm)	180 mm / 12	180 mm / 12
Contact surface per cartridge	290 x 320 mm	–
Swivel plate ø 250 mm, steering angle	–	± 90°
Steering rod	–	1620 mm
Overall dimensions (L x W)	–	820 x 952 mm
Tare weight	128 kg	214 kg
Load Capacity	300 kN (30 t)	300 kN (30 t)
Total load capacity	600 kN (60 t)	

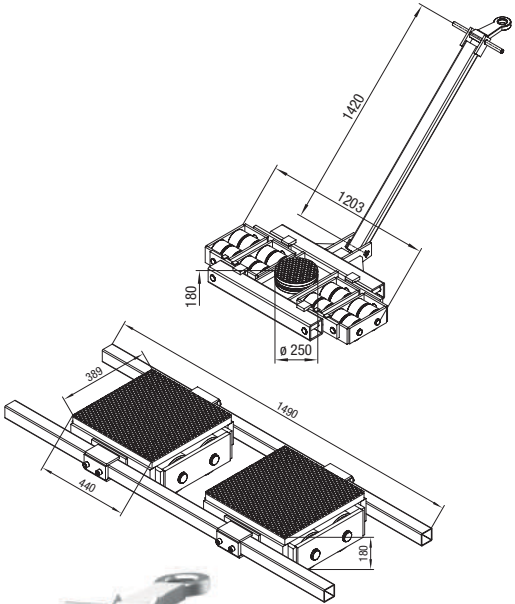
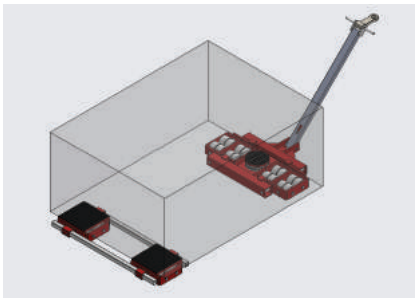




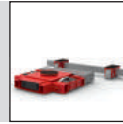
**Transport Trolleys F40 / L40 ▶ ▶ For heavy loads up to 80 tons**

- Features:**
- Can be combined with all trolleys of identical loading height
  - Two connecting bars for greater stability

Technical data	F40	L40
Item number	11770	11771
Loading height / number of wheels (140 x 85 mm)	180 mm / 16	180 mm / 16
Contact surface per cartridge	370 x 370 mm	–
Swivel plate ø 250 mm, steering angle	–	± 90°
Steering rod	–	1620 mm
Overall dimensions (L x W)	–	1204 x 855 mm
Tare weight	210 kg	264 kg
Load Capacity	400 kN (40 t)	400 kN (40 t)
Total load capacity	800 kN (80 t)	



- Contents
- Hydraulic Toe Jacks
- Pumps
- Transport Trolleys
- Rotating Trolleys
- Transport Module ROBOT
- Wheels
- Special Transport Trolleys
- Repair Services

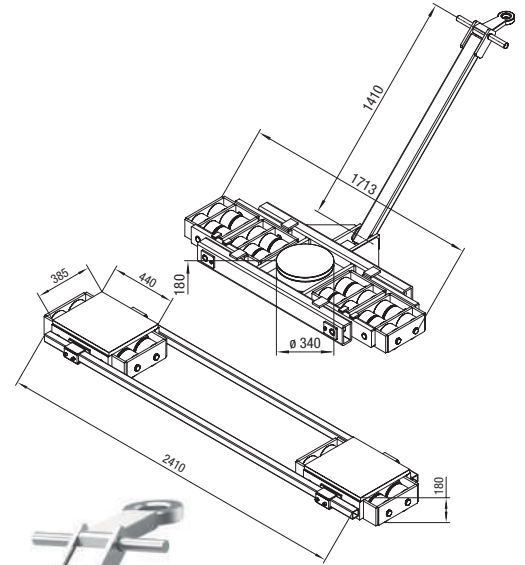
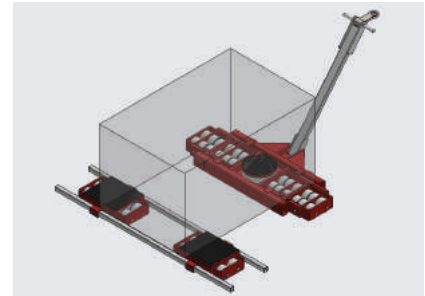


**Transport Trolleys F60 / L60 ▶▶ For heavy loads up to 120 tons**

**Features:**

- Can be combined with the Tandem trolleys of identical loading height
- Two connecting bars for greater stability

Technical data	F60	L60
Item number	10226	10227
Loading height / number of wheels (140 x 85 mm)	180 mm / 24	180 mm / 24
Contact surface per cartridge	390 x 440 mm	–
Swivel plate ø 340 mm, steering angle	–	± 90°
Steering rod	–	1620 mm
Overall dimensions (L x W)	–	835 x 1690 mm
Tare weight	290 kg	435 kg
Load Capacity	600 kN (60 t)	600 kN (60 t)
Total load capacity	1200 kN (120 t)	





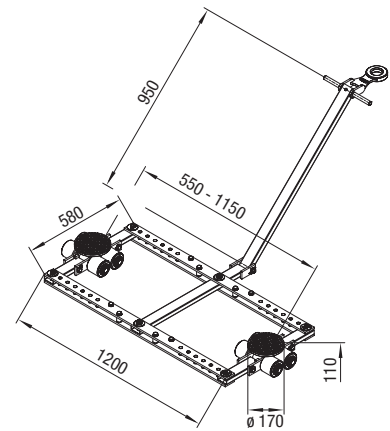
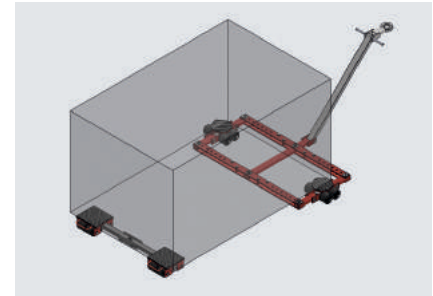
## Transport Trolleys TL6 ▶▶ For heavy loads up to 6 tons

### Features:

- Ideally suited for loads, when 4-point support is required
- Can be combined with all F trolleys of identical loading height

### Technical data

	TL6
Item number	10229
Loading height / number of wheels (85 x 85 mm)	110 mm / 8
2 swivel plates $\varnothing$ 170 mm, steering angle	$\pm 50^\circ$
7 x adjustable	550-1150 mm
Steering rod with eye for pulling	960 mm
Tare weight	54 kg
Load Capacity	60 kN (6 t)



Contents

Hydraulic  
Toe Jacks

Pumps

Transport Trolleys

Rotating Trolleys

Transport Module  
ROBOT

Wheels

Special  
Transport Trolleys

Repair  
Services

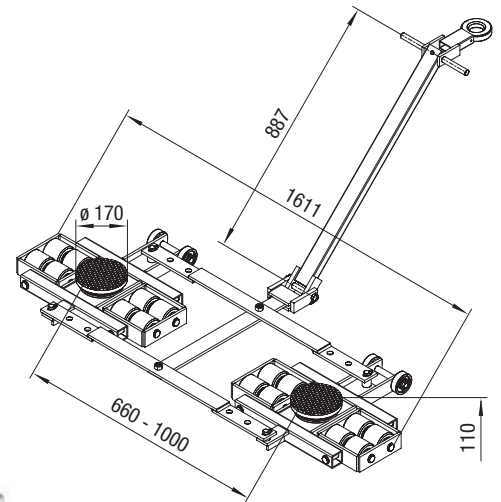
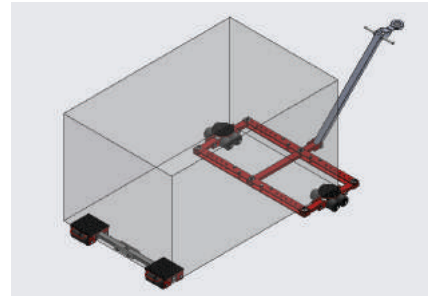


**Transport Trolleys TL12 ▶▶ For heavy loads up to 12 tons**

**Features:**

- Ideally suited for loads, when 4-point support is required

Technical data	TL12
Item number	10230
Loading height / number of wheels (85 x 85 mm)	110 mm / 16
2 swivel plates $\varnothing$ 170 mm, steering angle	$\pm 40^\circ$
3 x adjustable	660-1000 mm
Steering rod with eye for pulling	1080 mm
Tare weight	105 kg
Load Capacity	120 kN (12 t)

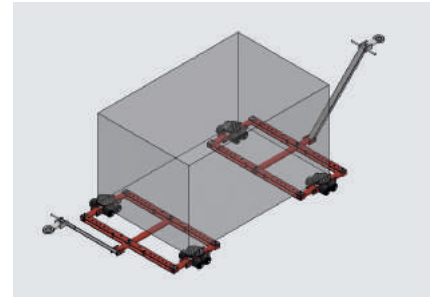




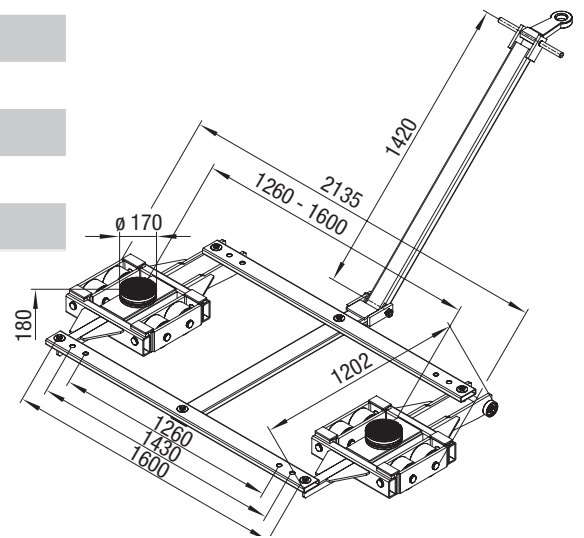


**Transport Trolleys TL20 ▶▶ For heavy loads up to 20 tons**

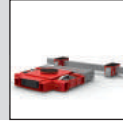
- Features:**
- Smaller turn radius is achieved by using a Tandem trolley in the front and rear
  - Can be combined with all F trolleys of identical loading height



Technical data	TL20
Item number	11803
Loading height / number of wheels (140 x 85 mm)	180 mm / 8
2 swivel plates $\varnothing$ 170 mm, steering angle	$\pm 45^\circ$
3 x adjustable	1260-1600
Steering rod with eye for pulling	1620 mm
Tare weight	222 kg
Load Capacity	200 kN (20 t)



- Contents
- Hydraulic Toe Jacks
- Pumps
- Transport Trolleys
- Rotating Trolleys
- Transport Module ROBOT
- Wheels
- Special Transport Trolleys
- Repair Services



**Transport Trolleys TL40 ▶▶ For heavy loads up to 40 tons**

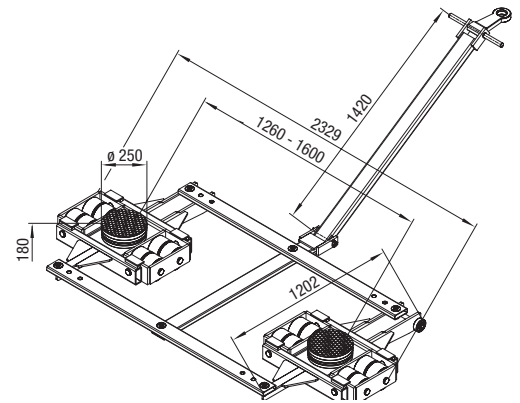
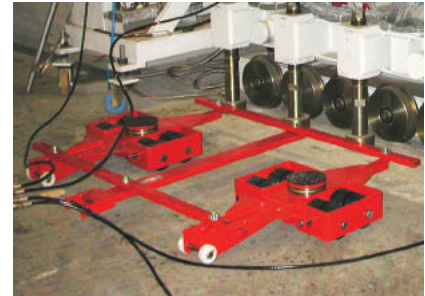
**Features:**

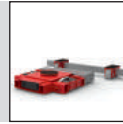
- A small turn radius can be realized with two Tandem trolleys (front and back)

**Technical data**

**TL40**

Item number	11148
Loading height / number of wheels (140 x 85 mm)	180 mm / 16
2 swivel plates ø 250 mm, steering angle	± 45°
3 x adjustable	1260-1600
Steering rod with eye for pulling	1620 mm
Tare weight	260 kg
Load Capacity	400 kN (40 t)





**Transport Trolleys TL60 ▶▶ For heavy loads up to 60 tons**

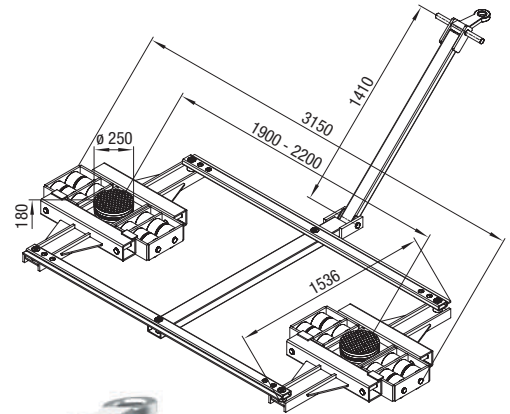
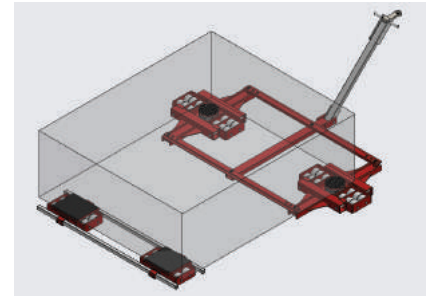
**Features:**

- Smaller turn radius is achieved by using a Tandem trolley in the front and rear
- Can be combined with trolley F60 for loads up to 120 t

**Technical data**

**TL60**

Item number	12035
Loading height / number of wheels (140 x 85 mm)	180 mm / 24
2 swivel plates $\varnothing$ 250 mm, steering angle	$\pm 40^\circ$
3 x adjustable	1175*
Steering rod with eye for pulling	1620 mm
Tare weight	570 kg
Load Capacity	600 kN (60 t)



Contents

Hydraulic  
Toe Jacks

Pumps

Transport Trolleys

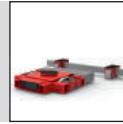
Rotating Trolleys

Transport Module  
ROBOT

Wheels

Special  
Transport Trolleys

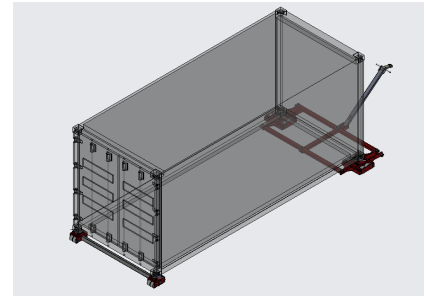
Repair  
Services



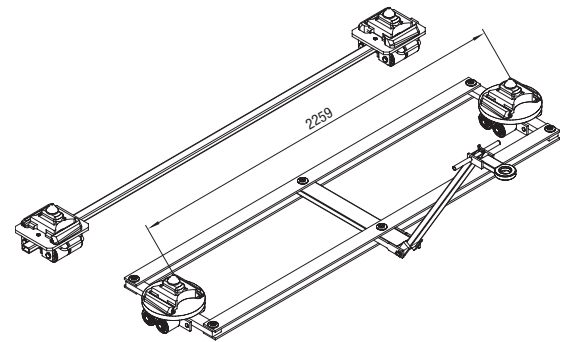
**Container Trolleys F6-c / TL6-c ►► For heavy loads up to 12 tons**

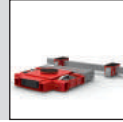
**Features:**

- Tandem trolley set with 4-point support for quick and secure connecting of trolleys and ISO containers with Twistlock interlocking
- Very low loading height



Technical data	F6-c	TL6-c
Item number	13642	13643
Loading height / wheels (85 x 85 mm) / number of wheels	176 mm / 8	176 mm / 8
Track width / Twistlock	2259 mm	2259 mm
Tare weight	73 kg	118 kg
Load Capacity	60 kN (6 t)	60 kN (6 t)
Total load capacity F+TL	120 kN (12 t)	

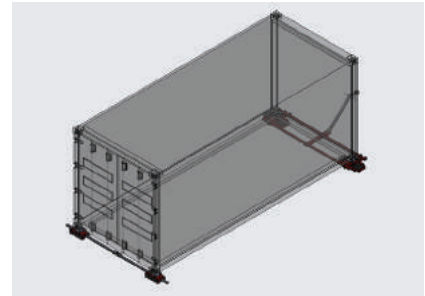




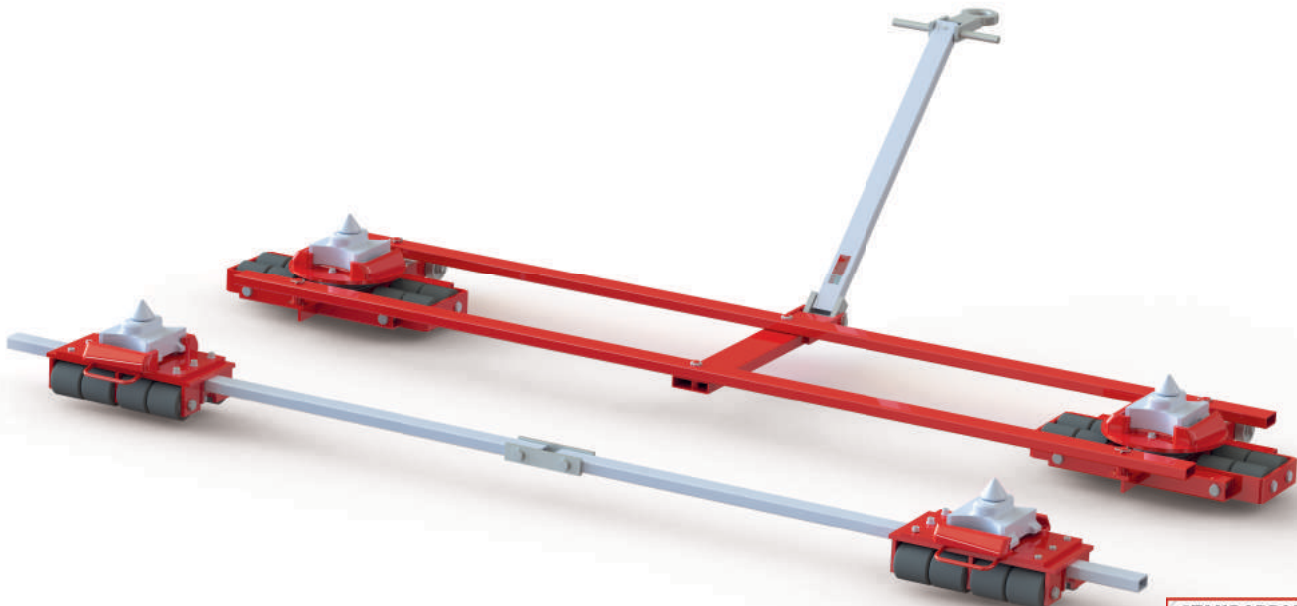
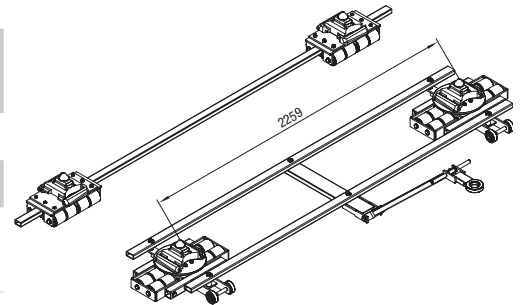
**Container Trolleys F12-c / TL12-c ▶▶ For heavy loads up to 24 tons**

**Features:**

- Tandem trolley set with 4-point support for quick and secure connecting of trolleys with ISO containers with Twistlock interlocking
- Very low loading height



Technical data	F12-c	TL12-c
Item number	14130	14129
Loading height / wheels (85 x 85 mm) / number of wheels	176 mm / 16	176 mm / 16
Track width / Twistlock	2259 mm	2259 mm
Tare weight	140 kg	123 kg
Load Capacity	120 kN (12 t)	120 kN (12 t)
Total load capacity F+TL	240 kN (24 t)	

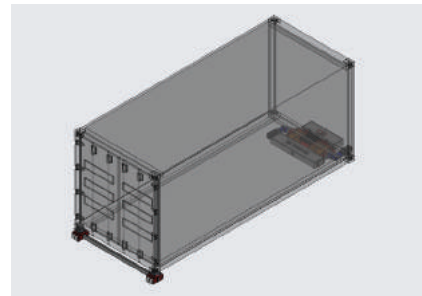


- Contents
- Hydraulic Toe Jacks
- Pumps
- Transport Trolleys
- Rotating Trolleys
- Transport Module ROBOT
- Wheels
- Special Transport Trolleys
- Repair Services

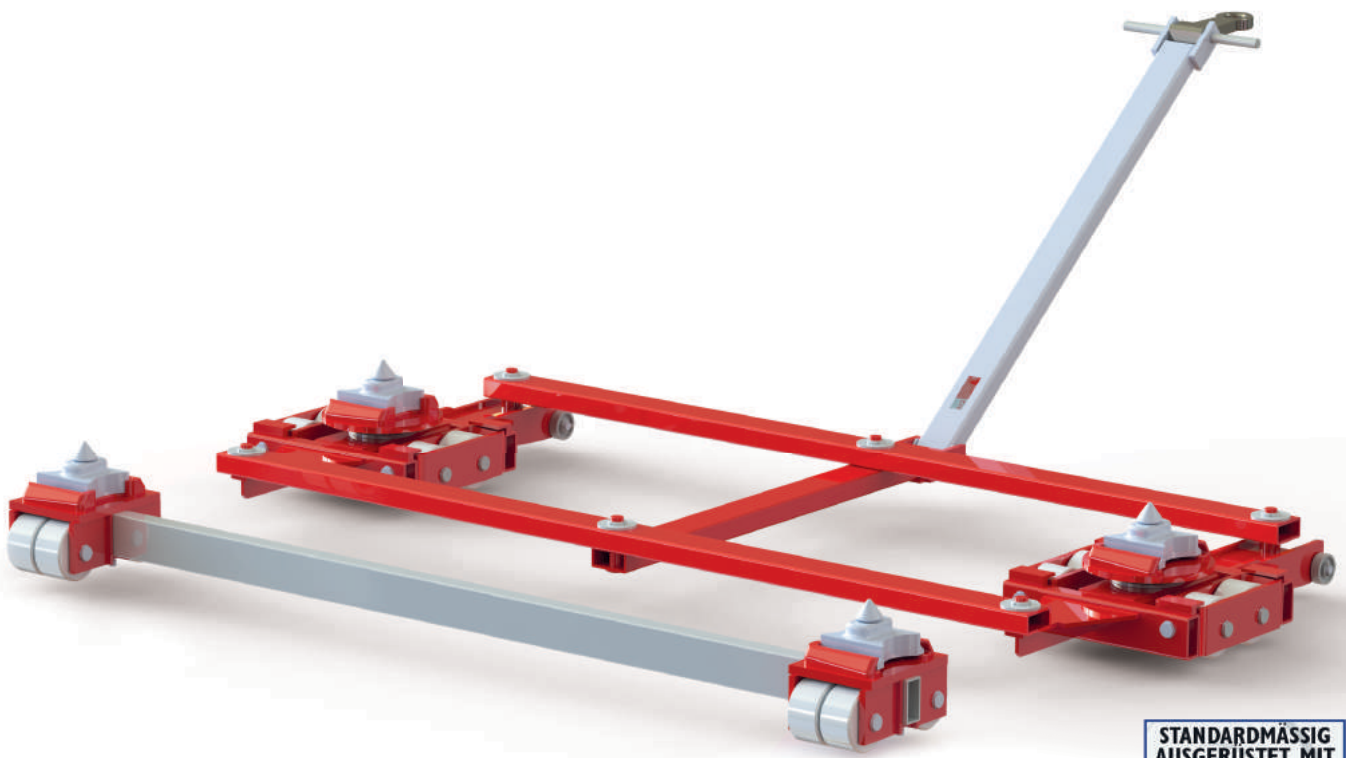
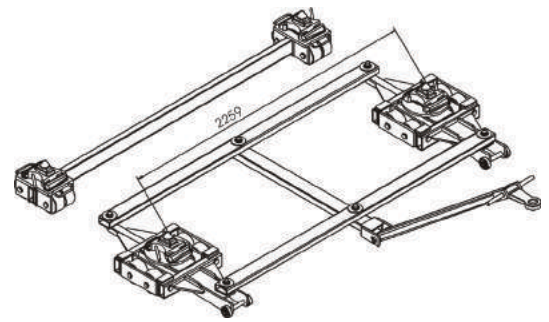


**Container Trolleys F20-c / TL20-c ▶▶ For heavy loads up to 40 tons**

- Features:**
- Length and width according to container dimensions (10 Ft, 20 Ft, 40 Ft ...)



Technical data	F20-c	TL20-c
Item number	13293	13294
Loading height / wheels (140 x 85 mm) / number of wheels	230 mm /8	230 mm /8
Track width / Twist-lock	2259 mm	2259 mm
Tare weight	140 kg	345 kg
Load Capacity	200 kN (20 t)	200 kN (20 t)
Total load capacity F+TL	400 kN (40 t)	



STANDARDMÄSSIG  
AUSGERÜSTET MIT  
standard equipped with



PREMIUM G

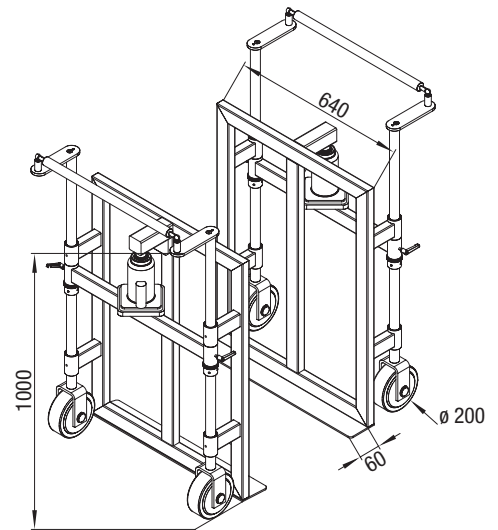


Special Transport Trolleys Twinlifter TW28 ▶ ▶ For heavy loads up to 2.8 tons

**Twinlifter TW28**

- Ideally suited for transport of bulky and heavy loads such as tool cabinets, control cabinets, safes, crates, machinery, boilers, etc.

Twinlifter	TW28	
Item number	11082 (PA wheels)	13687 (PUR wheels)
Load capacity per pair	28 kN (2.8 t)	
Weight	60 kg	
Lifting height max.	177 mm	
Overall height	1000 mm	
Width	640 mm	
Loading height	5 mm	
Min. wheel diameter of the PA wheels	200 mm	
Length of lashing strap with tension ratchet	8000 mm	



Contents

Hydraulic  
Toe Jacks

Pumps

Transport Trolleys

Rotating Trolleys

Transport Module  
ROBOT

Wheels

Special  
Transport Trolleys

Repair  
Services

# Rotating Trolleys

RL

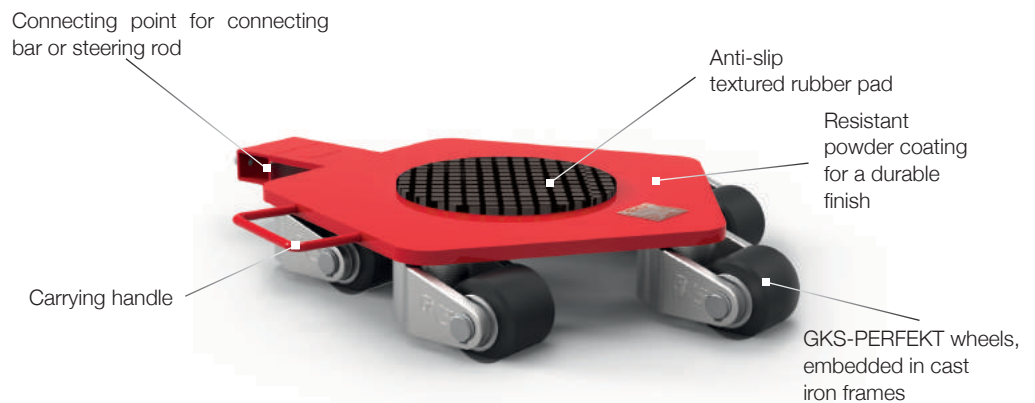




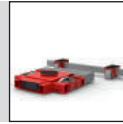
# Rotating Trolleys RL

GKS-PERFEKT rotating trolleys are available for loads from 1 to 12 tons. Special bearings in our rotating trolleys allows easy moving and rotating 360° in place on its own axis. There is the ability to use three or four rotating trolleys simultaneously. A combination of trolleys L / F / TL is possible, depending on the situation. Available for delivery with connecting bar and steering rod.

## Rotating Trolley RL 4

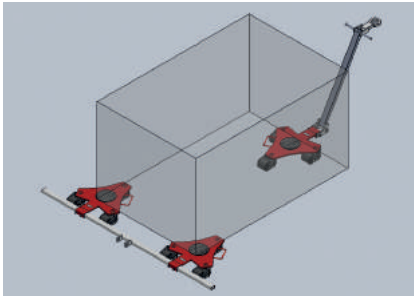


**To connect several rotating trolleys, connecting bars of various lengths and steering rods are available for delivery on request.**

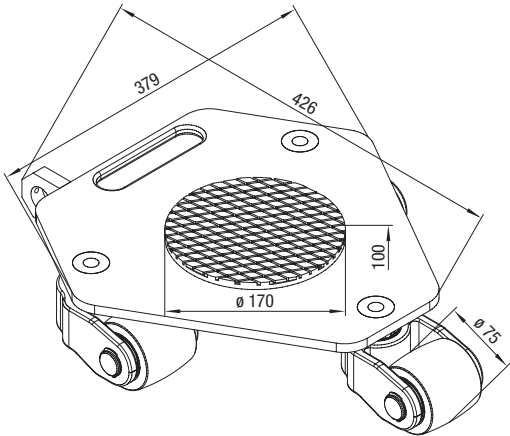


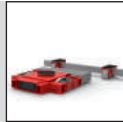
**Transport Trolleys RL1 ▶▶ For heavy loads up to 1 ton**

- Features:**
- RL trolleys with the same loading height can be combined, as shown, as 3 or 4-point supports with a connecting bar and steering rod (optional)
  - Very low loading height



Technical data	RL1
Item number	11456
Number of wheels / dimensions	3 / 75 x 66 mm
Loading height	100 mm
Overall dimensions (L x W x H)	426 x 379 x 100 mm
Tare weight in kg	15 kg
Load Capacity	10 kN (1 t)

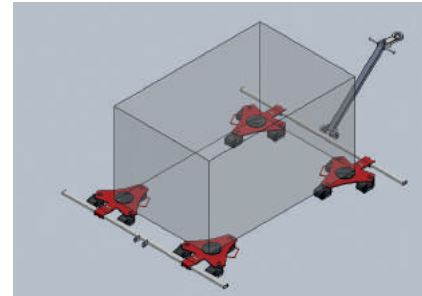




**Transport Trolleys RL2 ▶▶ For heavy loads up to 2 tons**

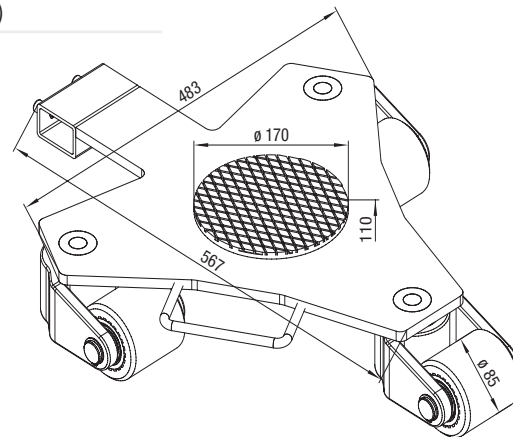
**Features:**

- RL trolleys with the same loading height can be combined, as shown, as 3 or 4-point supports with a connecting bar and steering rod (optional)
- A version with GKS-ALPERFEKT-PUR wheels is also available for sensitive floors
- Various RL models with the same loading height can be combined



**Technical data**

	RL2
Item number	10238
Number of wheels / dimensions	3 / 85 x 85 mm
Loading height	110 mm
Overall dimensions (L x W x H)	567 x 483 x 110 mm
Tare weight in kg	30 kg
Load Capacity	20 kN (2 t)



Contents

Hydraulic  
Toe Jacks

Pumps

Transport Trolleys

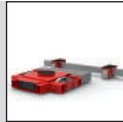
Rotating Trolleys

Transport Module  
ROBOT

Wheels

Special  
Transport Trolleys

Repair  
Services



**Transport Trolleys RL4 ▶▶ For heavy loads up to 4 tons**

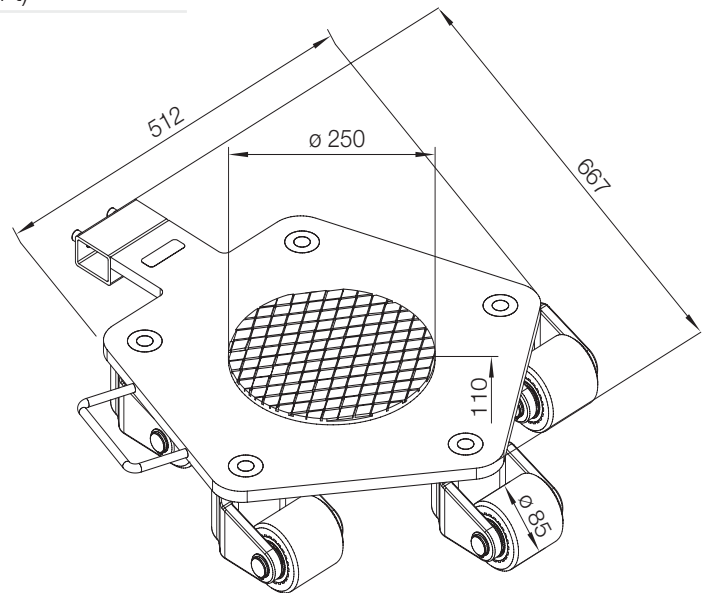
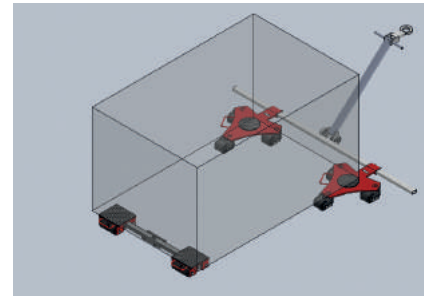
**Features:**

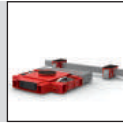
- Rotating trolleys can also be combined with F or TL trolleys of the same loading height

**Technical data**

**RL4**

Item number	10240
Number of wheels / dimensions	5 / 85 x 85 mm
Loading height	110 mm
Overall dimensions (L x W x H)	667 x 512 x 110 mm
Tare weight in kg	50 kg
Load Capacity	40 kN (4 t)





**Transport Trolleys RL6 ▶▶ For heavy loads up to 6 tons**

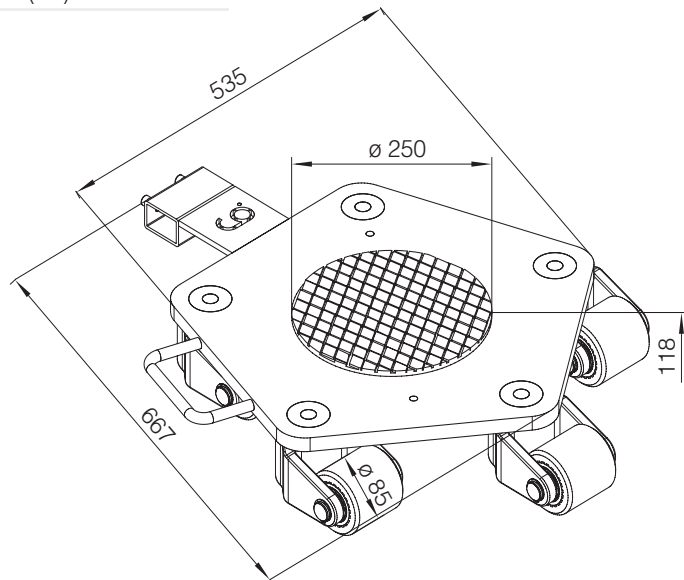
**Features:**

- Rotating trolleys can also be combined with F or TL trolleys of the same loading height

**Technical data**

**RL6**

Item number	13439
Number of wheels / dimensions	5 / 85 x 85 mm
Loading height	118 mm
Overall dimensions (L x W x H)	667 x 535 x 118 mm
Tare weight in kg	60 kg
Load Capacity	60 kN (6 t)



Contents

Hydraulic  
Toe Jacks

Pumps

Transport Trolleys

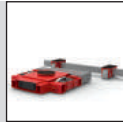
Rotating Trolleys

Transport Module  
ROBOT

Wheels

Special  
Transport Trolleys

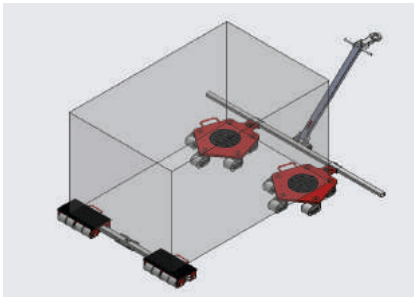
Repair  
Services



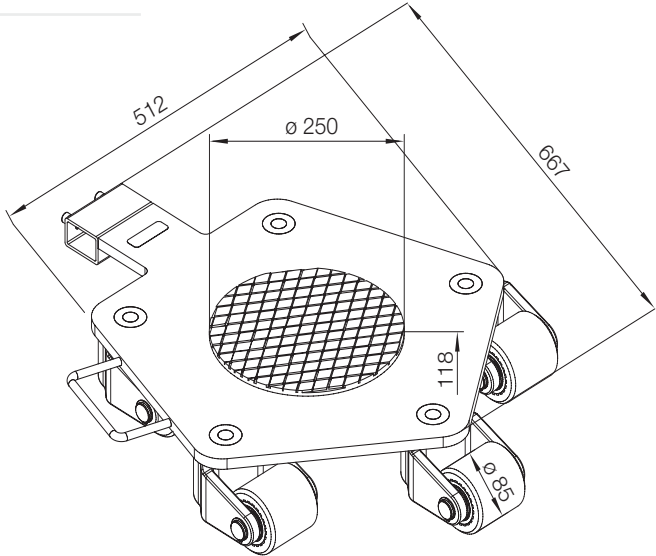
**Transport Trolleys RL8 ▶▶ For heavy loads up to 8 tons**

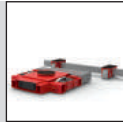
**Features:**  
▪ Rotating trolleys can also be combined with F or TL trolleys of the same loading height

Technical data	RL8
Item number	13817
Number of wheels / dimensions	5 / 85 x 85 mm
Loading height	118 mm
Overall dimensions (L x W x H)	667 x 512 x 118 mm
Tare weight in kg	60 kg
Load Capacity	80 kN (8 t)



**NEW**





**Transport Trolleys RL12 ▶▶ For heavy loads up to 12 tons**

**Features:**

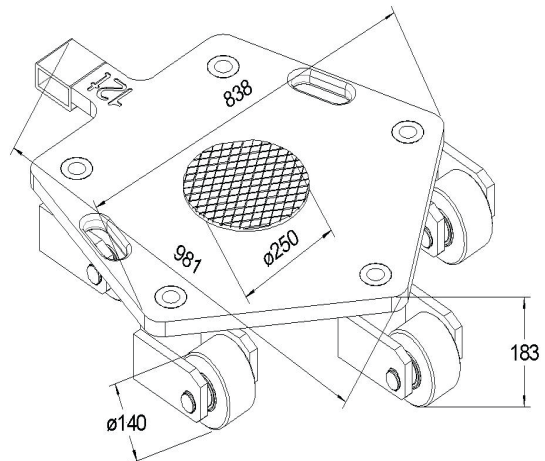
- Heavy-duty model
- Rotating trolleys can also be combined with F or TL trolleys of the same loading height



**Technical data**

**RL12**

Item number	13818
Number of wheels / dimensions	5 / 140 x 85 mm
Loading height	183 mm
Overall dimensions (L x W x H)	981 x 838 x 183 mm
Tare weight in kg	185 kg
Load Capacity	120 kN (12 t)



Contents

Hydraulic  
Toe Jacks

Pumps

Transport Trolleys

Rotating Trolleys

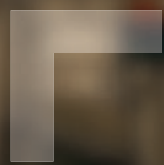
Transport Module  
ROBOT

Wheels

Special  
Transport Trolleys

Repair  
Services

# Remote Operated Battery Operated Transport Modules ROBOT 10 / 20 / 40





# Remote Operated Battery Operated Transport modules ROBOT 10 / 20 / 40

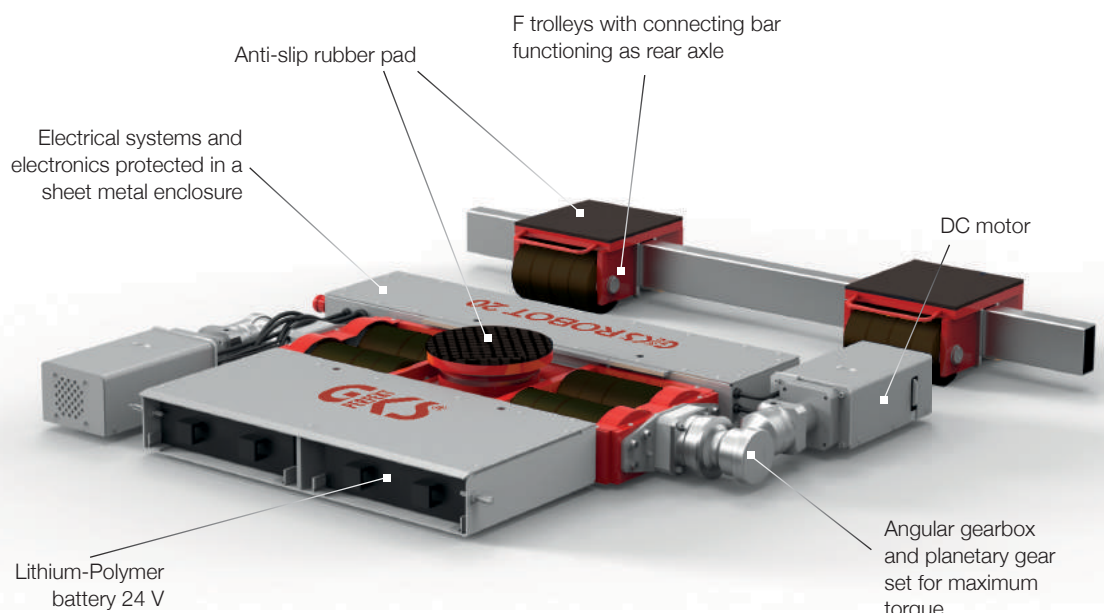
The Remote Operated Transport modules ROBOT 10 / 20 / 40 are used for on-site heavy transports of up to 40 tons or for assembly logistics and can be moved autonomously.

The built-in Lithium-Polymer batteries make operating times of up to 240 minutes possible. The ROBOT is designed for simultaneous steering and driving. The ROBOT is delivered ready-to-use and does not require external power sources.

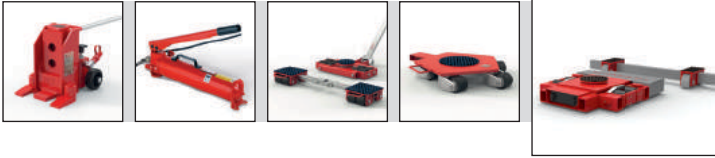
Our well-proven 3-point supports, consisting of the L-ROBOT and the F trolley as the “rear axle”, facilitate the safe and effortless transport of loads with just the push of a button.

We are happy to demonstrate our ROBOT models either in our factory here or on-site at your facility anywhere in Europe. These transport modules can be built to your specifications, to be used for applications including with platforms, for cleanroom equipment, etc. We can solve any transport challenge. We enjoy a good challenge!

## Transport Module ROBOT-20



**We have more than 100 testimonials from global companies using our ROBOTS to their complete satisfaction.**



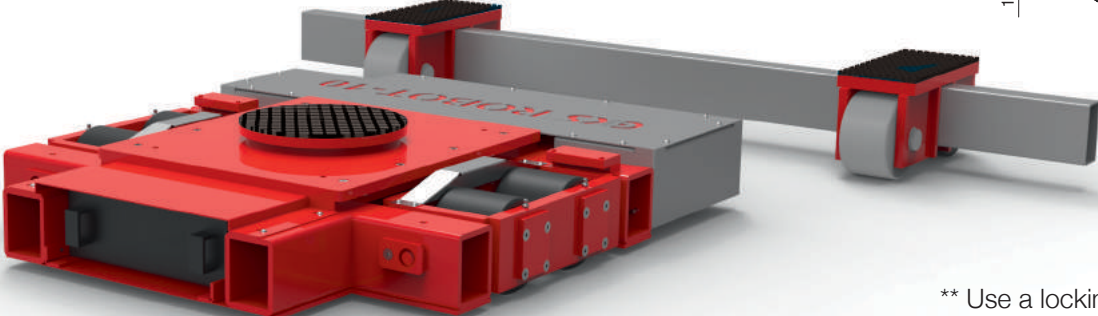
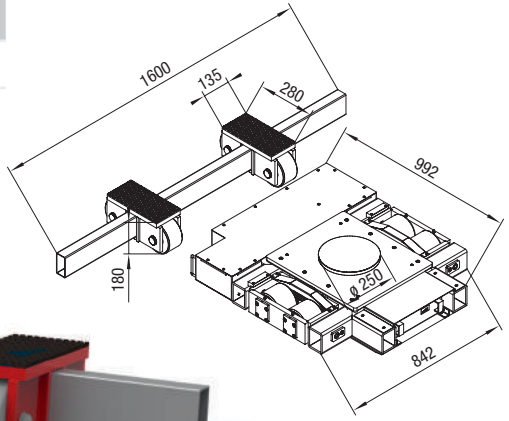
**Transport Module ROBOT-10 ▶▶ For heavy loads up to 10 tons**

- Features:**
- Operating times depend on the loads and the number of starts and stops
  - Lithium-Polymer batteries (easily recyclable) for safety; less risk in case of malfunction
  - Easy battery replacement thanks to a plug-in system, even under load
  - Scope of delivery includes a standard charger (10 hours charging time)

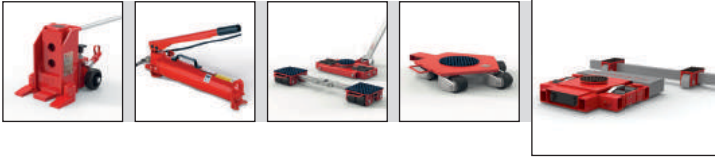


It is powered by a 24V Lithium Polymer power pack and a programmable motor control forwards the energy to the two brushless DC motors with a maximum of 930W of power each. The torque is then transferred to the drive wheels via the transmission box and gearing. Operating signals are transmitted from the remote control to the motor control unit via a CAN Bus and the current operating state is shown on a display. The overall system consists of a powered steerable L-ROBOT and the non-driven rigid F-ROBOT. Thus, our proven 3-point support concept. The system operates at two speeds: 11 and 5.5m/min.

Technical data	L-ROBOT-5	F-ROBOT-5
Item number	14242	13806
Drive	DC motor (24V / 930 W)	–
Rechargeable battery	Lithium-Polymer	–
Reversing signal	Yes	–
Incline max. **	5 %	–
Loading height / number of special heavy-duty wheels	180 mm / 4 (105 mm wide)	180 mm / 4 (85 mm wide)
Dimensions (L x W x H)	992 x 842 x 180 mm	–
Contact surface	Ø 250	135 x 280 mm
Connecting rod adjustable	–	450-1600 mm
Total weight in kg	240 kg	110 kg
Load Capacity	50 kN (5 t)	50 kN (5 t)
Total load capacity	100 kN (10 t)	



\*\* Use a locking device to prevent inadvertent rolling at inclines

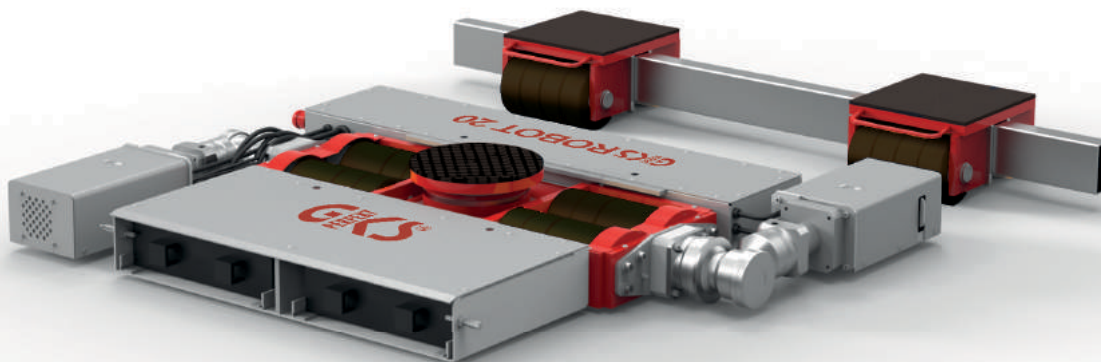
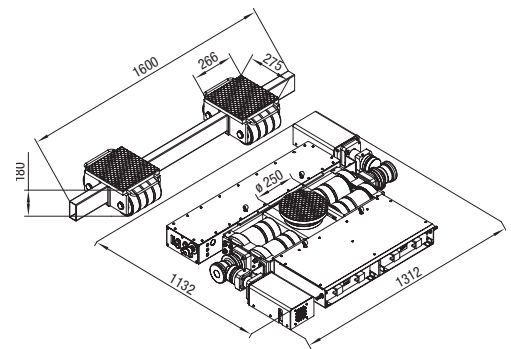


**Transport Module ROBOT-20 ▶▶ For heavy loads up to 20 tons**

- Features:**
- Remote operation via the transmitter on the radio remote control is carried out with two toggle switches for forward and reverse travel
  - Proportional travel speed control. Turning the L-ROBOT on the spot under the load is possible. If interference by other frequencies is detected, the control switches off
  - Options: Quick-charge unit (4h), charging station for wall mounting, transport box, spare batteries set, toe jack V15 with extended stroke (270 mm)

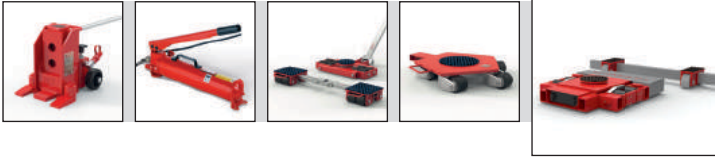


Technical data	L-ROBOT-10	F-ROBOT-10
Item number	14080	14081
Drive	DC motor (24 V / 1000 W)	–
Rechargeable battery	Lithium-Polymer	–
Reversing signal	Yes	–
Incline max. **	3 %	–
Loading height / number of special heavy-duty wheels	180 mm / 4 + 8 (105/53 mm wide)	180 mm / 18 (53 mm wide)
Dimensions (L x W x H) mm	1132 x 1312 x 180	–
Contact surface	Ø 250	275 x 266 mm
Adjustable connecting rod	–	532-1600 mm
Total weight in kg	255 kg	115 kg
Load Capacity	100 kN (10 t)	100 kN (10 t)
Total load capacity	200 kN (20 t)	



\*\* Use a locking device to prevent inadvertent rolling at inclines

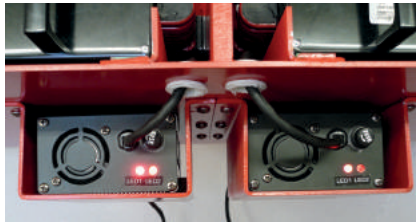
- Contents
- Hydraulic Toe Jacks
- Pumps
- Transport Trolleys
- Rotating Trolleys
- Transport Module ROBOT
- Wheels
- Special Transport Trolleys
- Repair Services



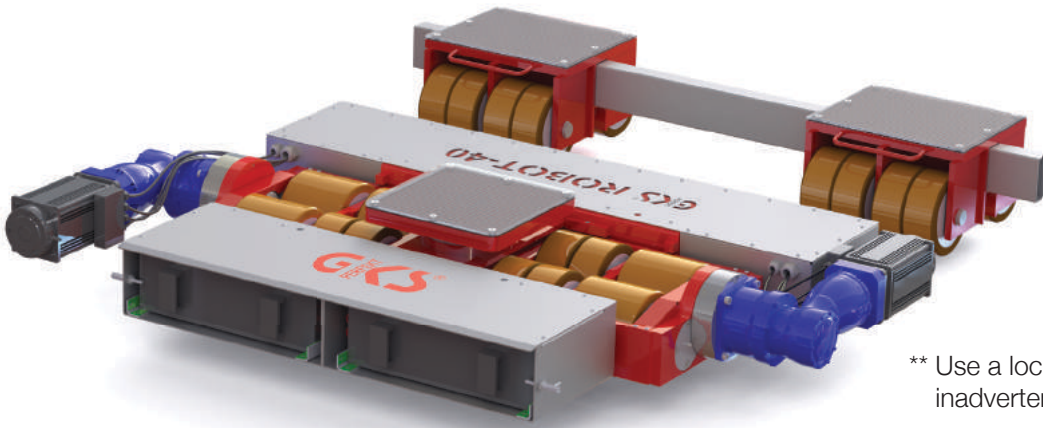
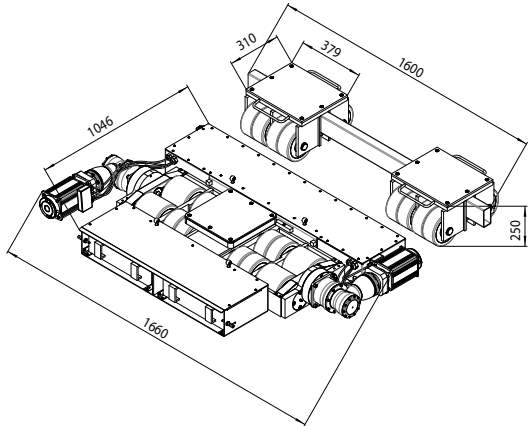
**Transport Module ROBOT-40 ▶▶ For heavy loads up to 40 tons**

**NEW**

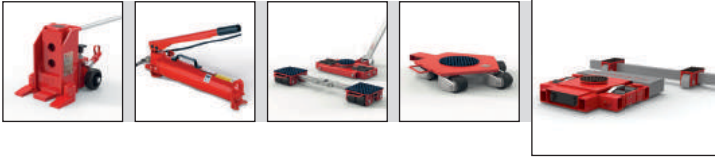
- Features:**
- Remote operation via the transmitter on the radio remote control is carried out with two toggle switches for forward and reverse travel
  - Proportional travel speed control. Turning the L-ROBOT on the spot under the load is possible. If interference by other frequencies is detected, the control switches off
  - Optional **Stroke Turntable** L-ROBOT-20 (40 mm stroke)
  - Optional synchronous function for exact straight driving
  - Options: Quick-charge unit (4h), charging station for wall mounting, transport box, spare batteries set, toe jack V15 with extended stroke (270 mm)



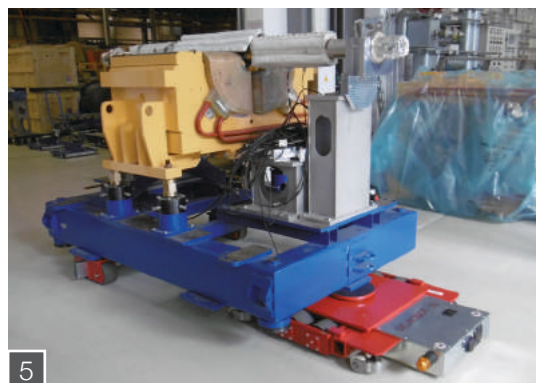
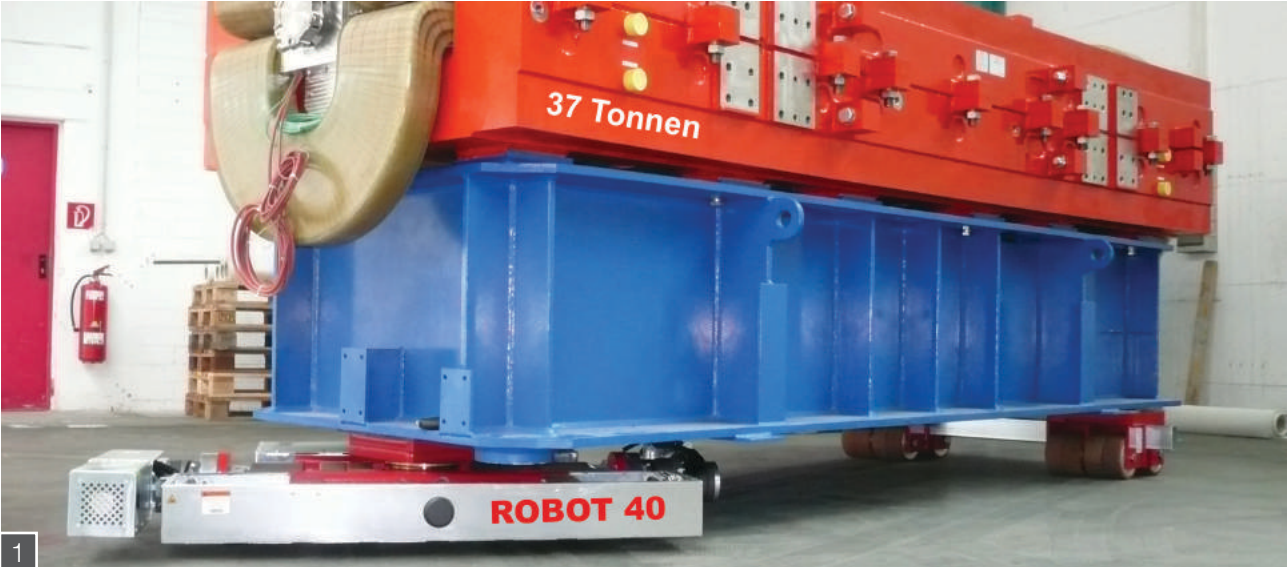
Technical data	L-ROBOT-20	F-ROBOT-20
Item number	13735	13636
Drive	AC motor (24 V / 1.5 kW)	–
Rechargeable battery	Lithium-Polymer	–
Reversing signal	Yes	–
Incline max. **	3 %	–
Loading height / number of special heavy-duty wheels	250 mm / 4 + 8 (154+ 76 mm wide)	250 mm / 16 (76 mm wide)
Dimensions (L x W x H)	1046 x 1660 x 250 mm	–
Contact surface	320 x 320 mm	310 x 379 mm
Adjustable connecting rod	–	758-1600 mm
Total weight in kg	460 kg	140 kg
Load Capacity	200 kN (20 t)	200 kN (20 t)
Total load capacity	400 kN (40 t)	



\*\* Use a locking device to prevent inadvertent rolling at inclines



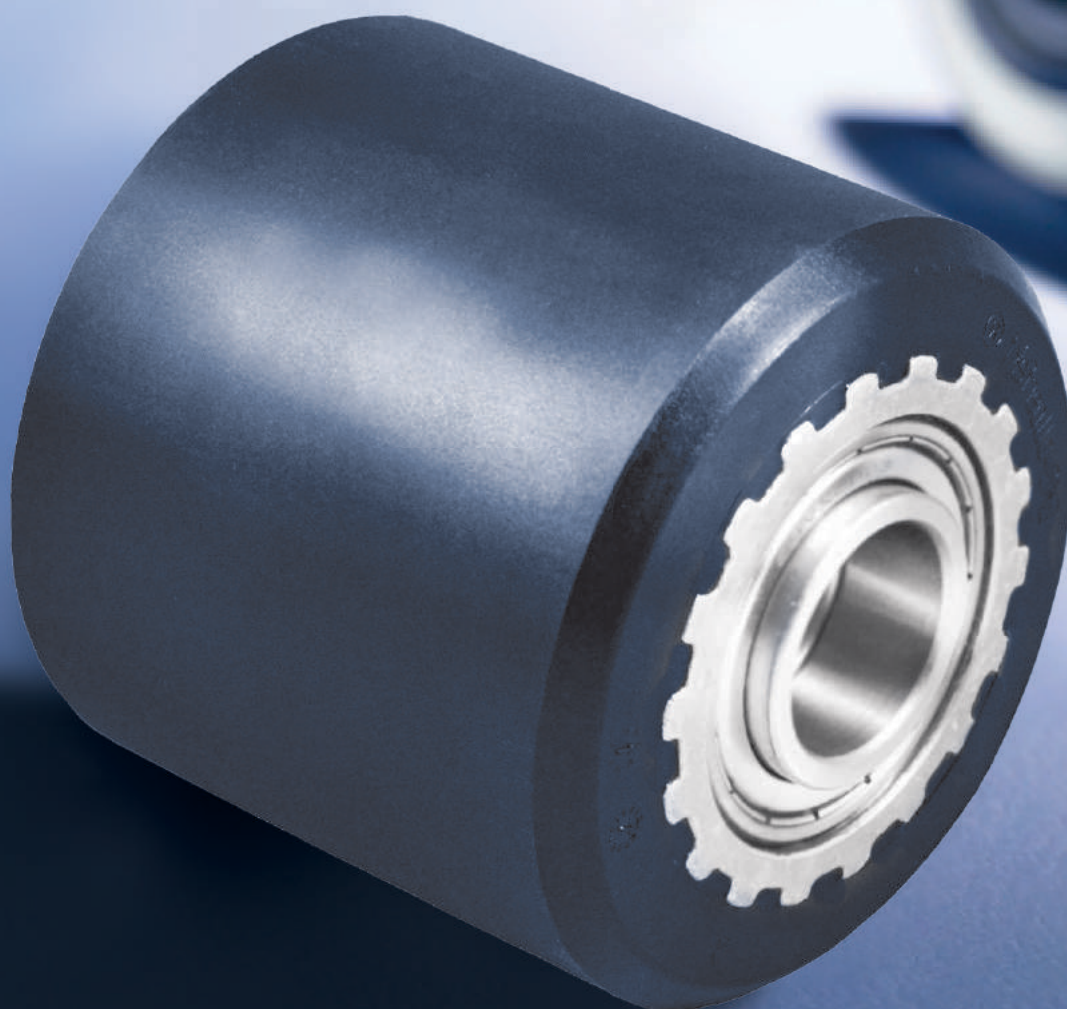
**ROBOT Applications**



- 1 ROBOT-40 magnet for particle accelerator
- 2 ROBOT-40 Windhoff conveyor transport wagon - hydraulic failure
- 3 ROBOT-10 pressure diecast equipment on platform with "drive and lift"
- 4 ROBOT-40 under 40-foot container with approx. 37 t
- 5 ROBOT-10 magnetic accelerator 9 t

- Contents
- Hydraulic Toe Jacks
- Pumps
- Transport Trolleys
- Rotating Trolleys
- Transport Module ROBOT
- Wheels
- Special Transport Trolleys
- Repair Services

# GKS Wheels Selection



# GKS Wheels Selection

Our high-quality GKS-PERFEKT wheels are the result of our own development, innovation and endurance tests. Some of the tests we run are rolling resistance under load, wear and impact resistance.

Our GKS-PERFEKT wheels are equipped with a special PA lining. We also offer wheels with PU lining or made of steel for special applications. The outstanding construction of our standard wheels, consisting of the core and a special lining ensures maximum stability, low weight, best running characteristics and a long service life. The advantage for you: GKS-PERFEKT wheels, designed for your special applications and outstanding floor protection (provided running surfaces are clean). Special wheels are available on request.



## GKS ROBOT wheels

We use special wheels for our ROBOTS. These wheels were developed together with a major wheel manufacturer and are designed to withstand the special requirements.

Both our L-ROBOTS as well as the F-ROBOTS are equipped with these wheels.



## GKS Wheels Selection

### GKS-ALPERFEKT® PREMIUM

Our new standard wheel for trolleys with 110 mm loading height. Thousandfold approved, with a special aluminum alloy core and gripping toothing to increase its service life, 4 ball bearings and special polyamide lining for universal use.

Technical Data GKS-ALPERFEKT® PREMIUM	Black	White
Item number	10015	10018
Size in mm	85 x 85	
Clean, even flooring	•	
Impure flooring	•	
Flooring with slight ridges	•	
Heavily contaminated floors		
Sensitive floors		
Total load capacity in kg	750	1200

### GKS-ALPERFEKT® PREMIUM G

Our white standard wheel for trolleys with 180 mm loading height. Steel core and ball bearings as well as Polyamide lining for universal use.

Technical Data GKS-ALPERFEKT® PREMIUM G	White
Item number	10022
Size in mm	140 x 85
Clean, even flooring	•
Impure flooring	•
Flooring with ridges	•
Heavily contaminated floors	
Sensitive floors	
Total load capacity in kg	2500







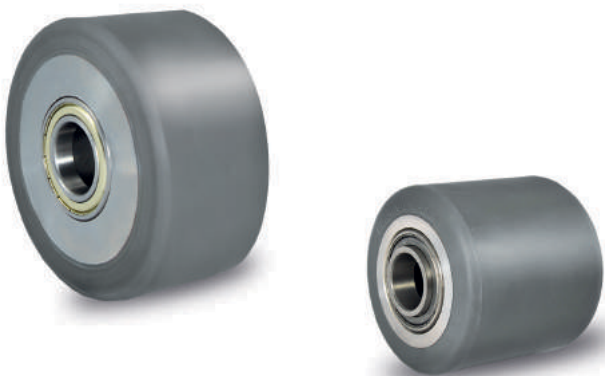
## GKS Wheels Selection

**GKS-ALPERFEKT® PUR**  
 Our recommended special wheel with steel core and polyurethane lining for sensitive floors.

**GKS-ALPERFEKT® STEEL**  
 Our recommended steel wheel for exterior surfaces (e.g. asphalt, etc.) and heavily contaminated floors indoors.

Technical Data GKS-ALPERFEKT® PUR	Grey	
Item number	11769	12007
Size in mm	85 x 85	140 x 85
Clean, even flooring		
Impure flooring		
Flooring with slight ridges		
Heavily contaminated floors		
Sensitive floors		•
Total load capacity in kg	1000	1700

Technical Data GKS-ALPERFEKT® STEEL	Silver	
Item number	10016	10258
Size in mm	85 x 85	140 x 85
Clean, even flooring		
Impure flooring		•
Flooring with ridges		•
Heavily contaminated floors		•
Sensitive floors		
Total load capacity in kg	750	2500



Contents
Hydraulic Toe Jacks
Pumps
Transport Trolleys
Rotating Trolleys
Transport Module ROBOT
Wheels
Special Transport Trolleys
Repair Services

# GKS-PERFEKT

## Clean room equipment





# GKS-PERFEKT Clean room equipment

This product line is nickel-plated and designed for the requirements of clean rooms (e.g. chip manufacturing, food, pharmaceutical or chemical industry).

The transport trolleys model F and L, as well as the rotating trolleys model RL are equipped with low-wear GKS-ALPERFEKT® PREMIUM wheels.

Technical data is identical to the standard equipment.



Contents

Hydraulic  
Toe Jacks

Pumps

Transport Trolleys

Rotating Trolleys

Transport Module  
ROBOT

Wheels

Special  
Transport Trolleys

Repair  
Services

# GKS-Spezial Custom-Made





# GKS-Spezial Custom-Made

Custom or special solutions require more than just experience. We are fully aware that we are moving the biggest heavyweights in the world. To meet this challenge with the highest possible safety, we develop the best possible solution in close collaboration with you and your team, thus helping you to place your loads effortlessly and with precision.

Over the course of the last few decades we were able to implement numerous special solutions for our customers.

Nearly all the global players use our equipment to transport their loads – this makes us more than proud.

We always welcome your request for references from your specific industry.

We are certain that there are comparable solutions that have been realized by us before.

We are looking forward to hearing from you about your specific challenge.

Contents

Hydraulic  
Toe Jacks

Pumps

Transport Trolleys

Rotating Trolleys

Transport Module  
ROBOT

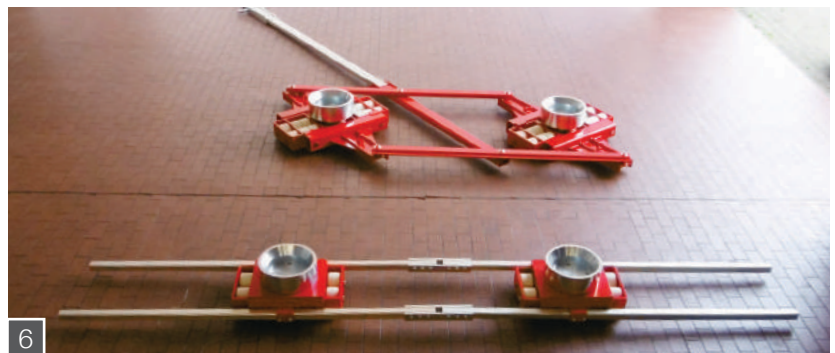
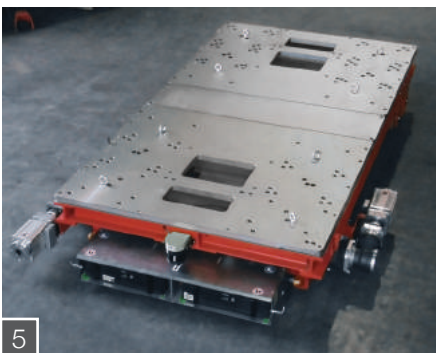
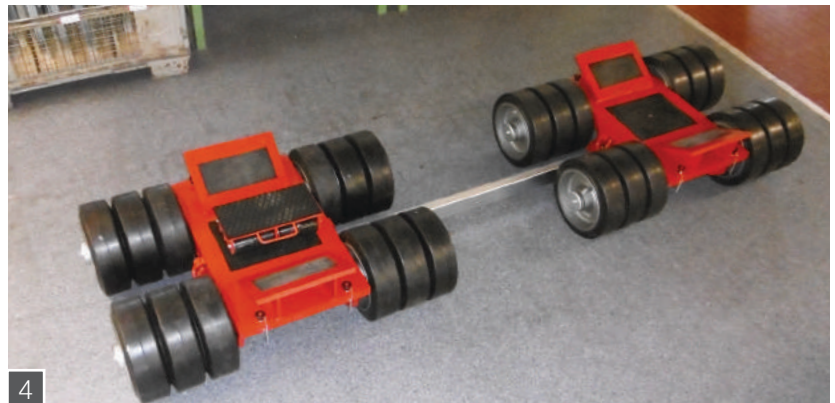
Wheels

Special  
Transport Trolleys

Repair  
Services



**GKS-PERFEKT ▶▶ GKS-Spezial**

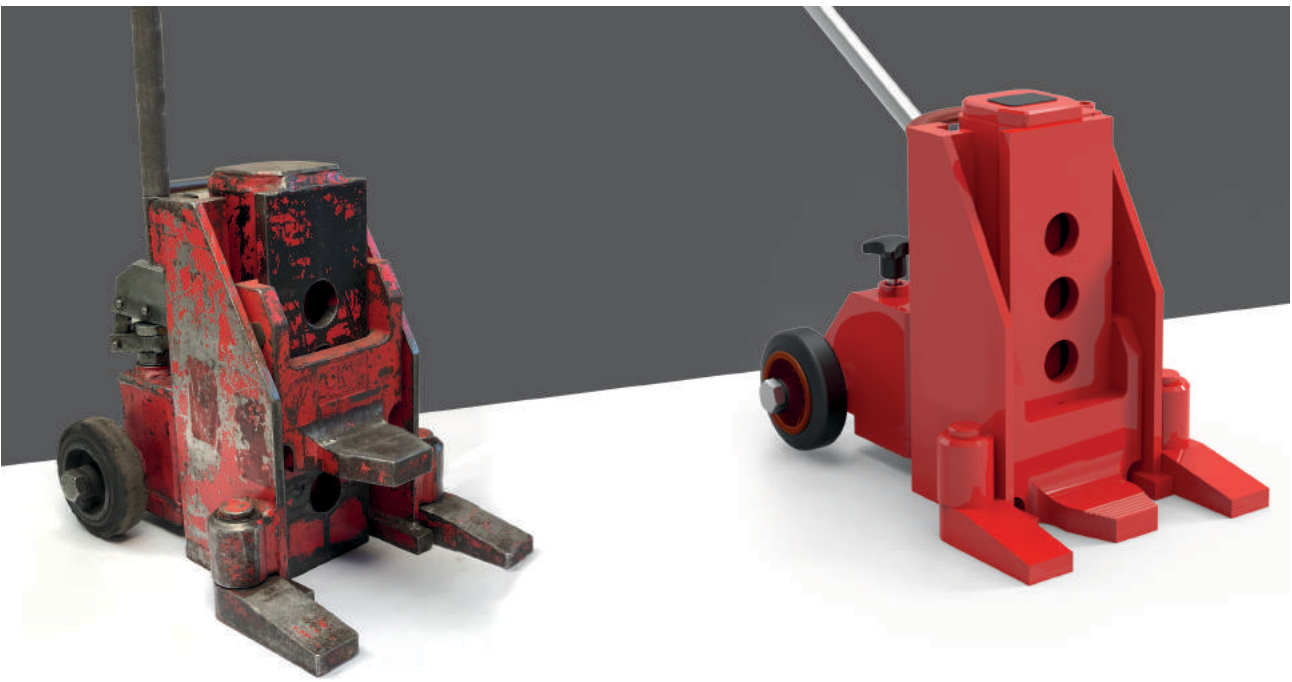


- 1 Hydraulic lifting and driving for trailers
- 2 TL40 trolley with hydraulic travel direction settings
- 3 80 t cable coils trolley F40 + TL40 Special
- 4 Transport trolley for aircraft tractors
- 5 ROBOT-40 with attached platform and path monitoring with laser
- 6 F60 + TL60 with customer-specific load handling



**Repair / UUV Inspection \***

- Repair / UUV Inspection**
- Safety of the employees and that of the loads are of highest priority when lifting heavy loads
  - Therefore, it is of utmost importance to comply with the mandated UUV inspection schedule
  - Send us your jack, at no cost to you!
  - We will carry out the annual UUV inspection in accordance with the applicable ACCIDENT PREVENTION and BGV D8 conditions. This includes visual, crack and functional testing of the jack and renewal of the inspection sticker for compliance and freedom from defects
  - Should it be determined that repairs are needed, we will send you a no-obligation quotation for the work
  - Restore the equipment to reliability and safety. Your equipment will leave in “as good as new” condition and you will be in compliance with the requirements of the employers’ liability



before

after

\* For toe jacks only

Contents
Hydraulic Toe Jacks
Pumps
Transport Trolleys
Rotating Trolleys
Transport Module ROBOT
Wheels
Special Transport Trolleys
Repair Services



## GKS International

### Our products are sold throughout the world.

International locations and sales partners make sure that our sales and distribution areas continue to grow throughout the world. Quality German manufacturing guarantees this growing demand.

We consider it a real compliment that our lifting and transport trolleys are used to put the most unexpected of things into motion throughout the world.







Sales offices addresses are listed on our website  
[www.gks-perfekt.com](http://www.gks-perfekt.com)



Everything at a glance

## Everything at a glance

The entire product range as well as our catalog can be found online at [www.gks-perfekt.com](http://www.gks-perfekt.com). Information is available at any time and from anywhere.

It would be our pleasure to advise you by phone as well.

**Telephone Hotline:** +49 (0) 711 - 510 981-0  
**Fax:** +49 (0) 711 - 510 981-90  
**E-mail:** [info@gks-perfekt.com](mailto:info@gks-perfekt.com)

Let us know your requirements and we will certainly find the right device in our product range. Our decades of experience make it possible for us to advise you on your individual challenges, focusing on the ideal solution; and should we ever not have the perfect equipment for your requirements, we will custom-build it for you.

You are always welcome to visit our showrooms. We offer a comprehensive assortment of our standard products on display, plus the opportunity of seeing it in action.

We look forward to meeting you.

Our new Online Shop has our standard products available for purchase as well

**Georg Kramp GmbH & CO. KG**  
**Max-Planck-Straße 32 · Postfach 1670**  
**70736 Fellbach, Germany**

© Copyright 2018 – Copyright Notice

The entire contents of this catalog, in particular the texts, photographs and graphics, are protected by copyright. Georg Kramp GmbH & Co. KG owns the copyright, unless expressly indicated otherwise.

Any contents published under the “Creative Commons” license is marked as such. These may be used in accordance with the specified terms and conditions of the license.

Copyright violations (e.g. unauthorized copying of images or texts) are punishable by law in accordance with Sections 106 ff of the German Copyright Act; they are subject to a fee-based warning and payment of damages (Section 97 of the German Copyright Act).

We reserve the right to make technical changes without notice.  
We assume no liability for printing errors

Photo credits:

Page 6: ALDECAstudio, jd-photodesign, senoldo, LUGOSTOCK – fotolia.com

Page 7: artefacti, Egor, Premium Collection – fotolia.com

Page 8: zorandim75, luzitanija – fotolia.com

Page 9: schab, stockpics, Andrey Kuzmin – fotolia.com

Page 79: kiri – fotolia.com

Page 83: blackzheep - fotolia.com



## PRIVACY POLICY

We take the protection of your personal data very seriously. We will treat your personal data with confidentiality and in accordance with the legal data protection provisions and this privacy notice.

We collect a variety of personal data.

Personal data are data that identifies you personally. This privacy notice explains what data we collect and how it is used. It also explains how and to what purpose this is done.

## Legal Notice / Publication Information

The responsible party for the data processing is:

Georg Kramp GmbH & CO. KG

Max-Planck-Straße 32 · 70736 Fellbach, Germany

Telephone: +49 (0)711 - 510981-0

Email: [info@gks-perfekt.com](mailto:info@gks-perfekt.com)

The responsible party is the natural or legal person who decides, alone or together with others, about the purpose and means of processing of any personal data (e.g. name, email addresses, etc.).

## Revoking your Consent for Data Processing

Many data processing operations are only possible with your express consent. You can at any time revoke your previously granted consent. An informal email communication to us is sufficient. The legitimacy of the data processing occurring until the revocation goes into effect remains unaffected by the withdrawal.

## The Right to Appeal to the Competent Supervisory Authority

In case of a data protection law breach the affected party has the right of appeal with the competent supervisory authorities.

The competent supervisory authority for data protection and related legal questions is the State Data Protection Officer where our company is located and registered. A list of the Data Protection Officers as well as their contact information can be found in the following link:

[https://www.bfdi.bund.de/DE/Infothek/Anschriften\\_Links/anschriften\\_links-node.html](https://www.bfdi.bund.de/DE/Infothek/Anschriften_Links/anschriften_links-node.html)

## The Right to Data Portability

You have the right to request your data, which has been automated with your consent or as part of fulfilling the terms of a contract, in a standard, machine-readable format and have them sent to you or a third party. If you request the direct transmission of the data to another responsible party, this will only be done if it is technically feasible.

## Information, Blocking, Deletion

You have within the limits of applicable law at any time the right to free information about your stored personal data, their provenance and recipients and the purpose of the data processing and, if necessary, a right to rectification, blocking or deletion of this data. Furthermore, you may contact us at any time at the address given in the Imprint / Publication Information section with any questions you may have about this and any other subject concerning your personal data.

## Declining Marketing Emails

The use of contact information published as part of the Imprint / Publication Information requirement for sending unsolicited advertisement and information materials is prohibited and hereby expressly rejected. The operators of the web pages reserve the right to initiate legal steps in the event of unsolicited sending of advertising information, for example via Spam emails.

Our comprehensive, up-to-date Privacy Policy can be found on our website.

# Machine tools + Precision tools

We offer a wide range of precision tools and machine tools, because this is where our roots are. We know our suppliers personally. You can rest assured that tools you purchase from us will deliver what we promise: reliable quality.

We are sure that our comprehensive range of manufacturers for specialty tools will offer the necessary product for your task.



Drills



DRILLS & END MILLS

Drilling and Milling



Tapping and Thread Molding



Solid Carbide Tools



[www.kramp-werkzeuge.de](http://www.kramp-werkzeuge.de) · [info@kramp-werkzeuge.de](mailto:info@kramp-werkzeuge.de)

Tel: +49 (0) 711 - 510981-0 · Fax: +49 (0) 711 - 510981-95



**GKS-PERFEKT Lifting and Moving Solutions**

Georg Kramp GmbH & Co. KG

Max-Planck-Straße 32 · 70736 Fellbach / Germany · Phone: + 49 (0)711-510981-0 · Fax: + 49 (0)711-510981-90

Email: [info@gks-perfekt.com](mailto:info@gks-perfekt.com) · [www.gks-perfekt.com](http://www.gks-perfekt.com)